



Standard Specification for ASTM Liquid-in-Glass Thermometers¹

This standard is issued under the fixed designation E1; the number immediately following the designation indicates the year of original adoption or, in the case of revision, the year of last revision. A number in parentheses indicates the year of last reapproval. A superscript epsilon (ϵ) indicates an editorial change since the last revision or reapproval.

This standard has been approved for use by agencies of the U.S. Department of Defense.

1. Scope

1.1 This specification covers liquid-in-glass thermometers graduated in degrees Celsius or degrees Fahrenheit that are frequently identified and used in methods under the jurisdiction of the various technical committees within ASTM. The various thermometers specified are listed in Table 1. The inclusion of an IP number in Table 1 indicates, where appearing, that the thermometer specification has been jointly agreed upon by the British Institute of Petroleum (IP) and ASTM.

1.2 This specification also covers adjustable-range enclosed-scale thermometers, graduated in degrees Celsius, which are used in ASTM methods.

1.3 The enclosed-scale thermometers are commonly called Beckmann thermometers. They are suitable for measuring small temperature differences not exceeding 6 °C within a larger range of temperature. The thermometers are unsuitable for measuring Celsius- or kelvin-scale temperatures unless they have been compared with standard instruments immediately before use.

1.4 An alphabetic list of the ASTM Thermometers included in this standard is given in Table 2.

1.5 A list of ASTM Thermometers is given in Table 3 to facilitate selection according to temperature range, immersion, and scale-error requirements.

NOTE 1—For a listing of thermometers recommended for general laboratory use, the Scientific Apparatus Makers Association Specifications for General Purpose Glass Laboratory Thermometers may be consulted.²

NOTE 2—It has been found by experience that these ASTM Thermometers, although developed in general for specific tests, may also be found suitable for other applications, thus precluding the need for new thermometer specifications differing in only minor features. However, it is suggested that technical committees contact Subcommittee E20.05 before choosing a currently specified thermometer for a new method to be sure

the thermometer will be suitable for the intended application.

1.6 The thermometers found in Table 1 contain mercury, mercury thallium eutectic alloy, or toluene or other suitable liquid colored with a permanent red dye. For low-hazard precision non-mercury alternatives to E1 thermometers, see Specification E2251.

1.7 **WARNING**—Mercury has been designated by EPA and many state agencies as a hazardous material that can cause central nervous system, kidney and liver damage. Mercury, or its vapor, may be hazardous to health and corrosive to materials. Caution should be taken when handling mercury and mercury containing products. See the applicable product Material Safety Data Sheet (MSDS) for details and EPA's website: <http://www.epa.gov/mercury/faq.htm> - for additional information. Users should be aware that selling mercury and/or mercury containing products into your state may be prohibited by state law.

1.8 *This standard does not purport to address all of the safety concerns, if any, associated with its use. It is the responsibility of the user of this standard to establish appropriate safety and health practices and determine the applicability of regulatory limitations prior to use.*

2. Referenced Documents

2.1 ASTM Standards:³

- E77 Test Method for Inspection and Verification of Thermometers
- E344 Terminology Relating to Thermometry and Hydrometry
- E563 Practice for Preparation and Use of an Ice-Point Bath as a Reference Temperature
- E2251 Specification for Liquid-in-Glass ASTM Thermometers with Low-Hazard Precision Liquids

3. Terminology

3.1 *Definitions*—The definitions given in Terminology E344 apply.

³ For referenced ASTM standards, visit the ASTM website, www.astm.org, or contact ASTM Customer Service at service@astm.org. For *Annual Book of ASTM Standards* volume information, refer to the standard's Document Summary page on the ASTM website.

¹ This specification is under the jurisdiction of ASTM Committee E20 on Temperature Measurement and is the direct responsibility of Subcommittee E20.05 on Liquid-in-Glass Thermometers and Hydrometers.

Current edition approved May 1, 2014. Published September 2014. Originally approved in 1939. Last previous edition approved in 2013 as E1 – 13. DOI: 10.1520/E0001-14.

² Available from SAMA Group of Assocs., 225 Reinekers, Ste. 625, Alexandria, VA 23314.

3.2 Definitions of Terms Specific to This Standard:

3.2.1 *adjusting device, n*—a section of the instrument used to adjust the amount of mercury in the bulb and main capillary to that needed for the intended temperature interval.

3.2.2 *bulb length, n*—the distance from the bottom of the bulb to the junction of the bulb and the stem tubing.

3.2.3 *contraction chamber, n*—an enlargement of the capillary, that will appear below the main scale or between the main scale and the auxiliary scale, which serves to reduce its length or to prevent contraction of the liquid column into the bulb.

3.2.4 *diameter, n*—the largest outside dimension of the glass as measured with a ring gage.

3.2.5 *expansion chamber, n*—an enlargement at the top of the capillary to provide protection against breakage caused by excessive gas pressure.

3.2.6 *interval error, n*—the deviation of the nominal value of a temperature interval from its true value; either for the total range (total interval) or for a part of the range (partial interval).

3.2.7 *saddle, n*—the bottom support of the enclosed scale.

3.2.8 *setting temperature, n*—the temperature that yields a reading of zero on the main scale for a given adjustment of the amount of mercury in the bulb and main capillary.

3.2.9 *thermometric liquid, n*—the liquid in a liquid-in-glass thermometer that indicates the value of temperature.

3.2.10 *top of the thermometer, n*—the top of the finished instrument.

3.2.11 *total length, n*—overall length of the finished instrument.

3.2.12 Other descriptions of terms shall be in accordance with the Terminology section of Test Method E77.

Part A—Solid-Stem Thermometers

4. Specifications

4.1 The individual thermometers shall conform to the detailed specifications given in Table 1 and to the general requirements specified in Sections 5 – 15.

4.2 Thermometers manufactured to previous revisions of this specification shall retain the same ASTM status as those meeting current specifications.

4.3 The encapsulation (jacketing) of the glass of liquid-in-glass thermometers with polyfluorinated hydrocarbons will change their performance and physical characteristics, including, but not limited to, response time, accuracy, and physical dimensions. Therefore, under no circumstances should an encapsulated or otherwise modified ASTM thermometer be used in performing tests that specify the use of an ASTM thermometer.

5. Type

5.1 The thermometers, as specified in Table 1, shall be filled with one of the following liquids:

5.1.1 Mercury,

5.1.2 Mercury thallium eutectic alloy, or

5.1.3 Toluene or other suitable liquid colored with a permanent red dye.

5.2 The filling above the liquid shall be nitrogen or other suitable inert gas.

6. Stem

6.1 *Stem*—The stem shall be made of suitable thermometer tubing and shall have a plain front and enamel back, unless otherwise specified in Table 1.

6.2 *Top Finish*—The top of all thermometers specified in Table 1 shall have a plain rounded finish, except the following which shall have the top finish indicated below (unless indicated as optional). Any special top finish shall be included in the total length of the thermometer.

6.2.1 Glass Button Finish:

Thermometers 23C, 24C, and 25C

6.2.2 Special Finish:

6.2.2.1 Suitable for assembly in a standard 304.8-mm (12-in.) non-sparking metal armor with open face; in a cup case assembly; or in a flushing case assembly:

Thermometers 58C, 58F, 59C, 59F, 60C, 60F, 97C, 97F, 98C, 98F, 130C, and 130F

6.2.2.2 Suitable for assembly in a 12-in. non-sparking metal armor with open face:

Thermometer 99C, 99F

6.2.3 *Ring Top (optional only)*—Thermometers 11C and 11F.

7. Bulb

7.1 The bulb shall be made of glass having a viscosity of at least $10^{14.6}$ poises at 490 °C (914 °F) and at least $10^{13.4}$ poises at 520 °C (968 °F).

7.2 Thermometers made with bulb glasses not meeting the minimum properties in 7.1 shall not be subjected to temperatures above 405 °C (760 °F) or be continuously exposed to temperatures above 370 °C (700 °F).

8. Capillary Clearances

8.1 The following distances between graduations and the bulb, and between graduations and enlargements in the capillary, shall be minimum limits for thermometers in this specification.

NOTE 3—In order for a thermometer to be usable over its entire graduated range, graduation marks should not be placed too close to any enlargement in the capillary. Insufficient immersion of the thermometric liquid in the main bulb or capillary enlargement, graduation marks placed over parts of the capillary that have been changed by manufacturing operations, or graduations so close to the top of the thermometer that excessive gas pressure results when the thermometric liquid is raised to this level, may lead to appreciable errors.

8.1.1 A 13-mm length of unchanged capillary between the bulb and the immersion line or lowest graduation, if the graduation is not above 100 °C (212 °F); a 30-mm length if the graduation is above 100 °C (212 °F).

8.1.2 A 5-mm length of unchanged capillary between an enlargement and the graduation next below, except at the top of the thermometer.

8.1.3 A 10-mm length of unchanged capillary between an enlargement, other than the bulb, and the immersion line or the graduation next above, if the graduation is not above 100 °C (212 °F); a 30-mm length if the graduation is above 100 °C (212 °F).

8.1.4 A 10-mm length of unchanged capillary above the highest graduation, if there is an expansion chamber at the top of the thermometer; a 30-mm length if there is no expansion chamber. For the purposes of this requirement, “an expansion chamber” is interpreted as an enlargement at the top end of the capillary bore which shall have a capacity equivalent to not less than 20 mm of unchanged capillary.

8.2 It is possible to manufacture thermometers that comply with the specifications given in Table 1, but do not meet the requirements for capillary clearances given above. In any case, the distances given in this section shall be the governing factor. Under no circumstances shall the scales on thermometers be placed closer than these minimum distances.

9. Graduations and Incriptions

9.1 All graduation lines, immersion lines, figures, and letters shall be clearly defined, suitably colored, and permanent. The width and the sharpness of the graduation lines shall be in accordance with 9.2. The middle of the graduation line shall be determinable.

9.1.1 A suitably etched thermometer with the etched lines and figures filled with a pigment shall be considered permanently marked provided it passes the test for permanency of pigment in Section 11.

9.1.2 A thermometer marked by other means shall also be considered permanently marked, provided it passes the test for permanency of pigment in Section 11.

9.2 *Graduation Lines*—All graduation lines shall be straight, of uniform width, and perpendicular to the axis of the thermometer. The width of the graduation lines shall be as follows:

9.2.1 *Group 1*—Maximum line width 0.10 mm; for thermometers that may read to fractions of a division, often with magnifying aids:

Thermometers 14C, 14F, 26C, 28C, 28F, 29C, 29F, 30F, 33C, 33F, 34C, 34F, 35C, 35F, 44C, 44F, 45C, 45F, 46C, 46F, 47C, 47F, 48C, 48F, 50F, 51F, 52C, 56C, 56F, 62C, 62F, 63C, 63F, 64C, 64F, 65C, 65F, 66C, 66F, 67C, 67F, 68C, 68F, 69C, 69F, 70C, 70F, 72C, 72F, 73C, 73F, 74C, 74F, 89C, 90C, 91C, 92C, 93C, 94C, 95C, 96C, 100C, 101C, 110C, 110F, 111C, 112C, 113C, 113F, 116C, 117C, 118C, 118F, 119C, 119F, 120C, 121C, 126C, 126F, 127C, 128C, 128F, 129C, 129F, 132C, 133C, and 137C.

9.2.2 *Group 2*—Maximum line width 0.15 mm; for thermometers that may be read to the nearest half division or where the congestion of scale dictates the use of a scale with moderate fineness:

Thermometers 1C, 1F, 2C, 2F, 3C, 3F, 5C, 5F, 6C, 6F, 7C, 7F, 8C, 8F, 9C, 9F, 10C, 10F, 11C, 11F, 12C, 12F, 13C, 15C, 15F, 16C, 16F, 17C, 17F, 18C, 18F, 19C, 19F, 20C, 20F, 21C, 21F, 22C, 22F, 23C, 24C, 25C, 36C, 37C, 38C, 39C, 40C, 41C, 42C, 43C, 43F, 49C, 54C, 54F, 61C, 61F, 71C, 71F, 82C, 82F, 83C, 83F, 84C, 84F, 85C, 85F, 86C, 86F, 87C, 87F, 99C, 99F, 102C, 103C, 104C, 105C, 106C, 107C, 108F, 109F, 114C, 122C, 123C, 124C, 125C, 134C, 135C, 135F, 136C, and 136F.

9.2.3 *Group 3*—Maximum line width 0.20 mm; for thermometers with more open scales, usually read to the nearest

division, often times under adverse conditions where a bold graduation is therefore desired:

Thermometers 27C, 57C, 57F, 58C, 58F, 59C, 59F, 60C, 60F, 75F, 76F, 77F, 78F, 79F, 80F, 81F, 88C, 88F, 97C, 97F, 98C, 98F, 130C, and 130F.

9.3 *Immersion Line*—On partial immersion thermometers an immersion line shall be permanently marked on the front of the thermometer at the distance above the bottom of the bulb as specified in Table 1 within a tolerance of ± 0.5 mm, except for Thermometers 82F to 87F, which shall have no immersion line. The immersion inscription shall be written in capital letters and abbreviated (for example, 76 mm immersion shall be written 76 MM IMM).

9.4 *Terminal Numbers*—The terminal number shall be in full when there are one or more numbered graduations between it and the last full number, before the terminal number. This rule need not necessarily be followed for:

9.4.1 *Saybolt Viscosity Thermometers* :

17C, 17F, 19C, 19F, 20C, 20F, 21C, 21F, 77F, 78F, 79F, 80F, and 81F

9.4.2 *Kinematic Viscosity Thermometers*:

28F, 29F, 30F, 44F, 45F, 46F, 47F, 48F, 72F, 73F, 74F, 110F, 118F, 126F, 128F, and 129F

9.4.3 *Engler Viscosity Thermometers* :

23C, 24C, and 25C

9.4.4 *Precision Thermometers*:

65F, 66F, 67C, 67F, and 68C

9.4.5 *Tank Thermometer*:

97F

9.4.6 *Solidification Point Thermometers*:

100C and 101C

9.4.7 *Reid Vapor Pressure*:

18C and 18F

9.4.8 *Oxidation Stability*:

22C and 22F

9.5 *Scale Below Zero*—When a scale extends both above and below 0 °C or 0 °F, the two parts of the scale shall be differentiated by some means. Examples of suitable means are:

9.5.1 Different pigment colors for the two parts of the scale,

9.5.2 Different style of numerical characters for the two parts of the scale, and

9.5.3 Use of minus signs before appropriate numbers below 0 °C or 0 °F.

10. Special Inscription

10.1 The special inscription specified in Table 1 shall be marked on the thermometer in capital letters and Arabic numbers without the use of periods. In addition to the special inscription prescribed in Table 1, each thermometer shall be permanently marked with a unique serial number and the manufacturer’s tradename or mark.

10.2 *Engraving Revision Date on ASTM Thermometers*—Include year of current revision in ASTM designation (for example, ASTM 1C-99).

11. Permanency of Pigment

11.1 The test for permanency of pigment is designed to determine the ability of the pigment material to withstand the exposure conditions encountered in use without being obliterated.

11.2 Place any convenient portion of the scale section of the thermometer to be tested in an oven of the type shown in Fig. 1. Heat for 3 h at approximately 260°C (500°F). Allow to cool slowly. Inspect the thermometer for differences in appearance of the tested and untested sections of the scale portion. Burning out, loosening, chalking, or fading of the pigment shall be cause for rejection.

12. Bulb Stability

12.1 The test for bulb stability shall be made for the following thermometers in the temperature range specified below for 24 h. The scale indications after the test shall be within the maximum scale error specified in Table 1. Observations of a reference point before and after the test to give a measure of the degree of bulb stability achieved in manufacture. The bulb is considered stable if the change in indications

of the thermometer in the test is no more than 0.7 (7/10) of the maximum scale error found in Table 1.

ASTM Thermometer Number	Test Temperature Range
3C, 8C, 10C, 11C, 70C	360 to 370°C
3F, 8F, 10F, 11F, 70F	680 to 700°F
2C, 7C, 69C, 107C	280 to 290°C
2F, 7F, 69F	540 to 560 °F

12.1.1 The test for bulb stability is designed to determine the adequacy of the stabilizing heat treatment accorded the thermometer bulb during manufacture. An inadequately stabilized bulb will undergo shrinkage with time which may be significant particularly in higher temperatures.

12.1.1.1 Heat the thermometer for 5 min at the temperature specified above in a preheated bath which may be of the type shown in Fig. 2. Immersion must be sufficient that all of the thermometer bulb is at the specified temperature. Allow the thermometer to cool, either naturally in still air, or slowly in the test bath at a specified rate, to a span of 20° on the Celsius scale (36° on the Fahrenheit scale) above ambient temperature or to 50°C (122°F), whichever is the lower, and then determine the reading at some reference point, such as the ice point. If natural

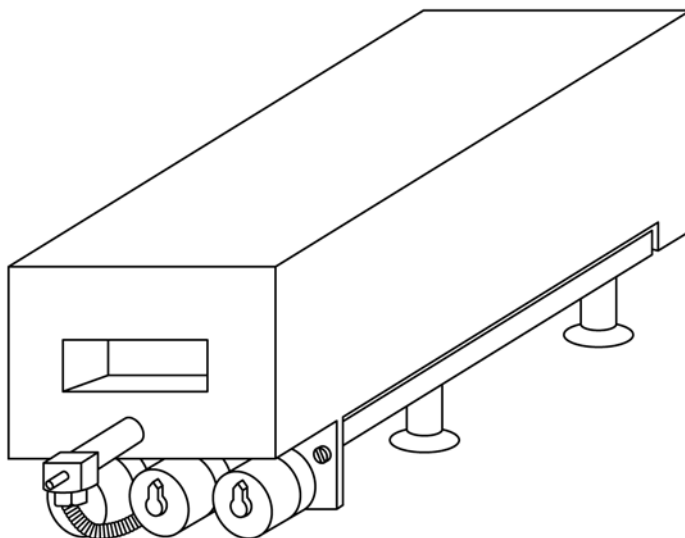
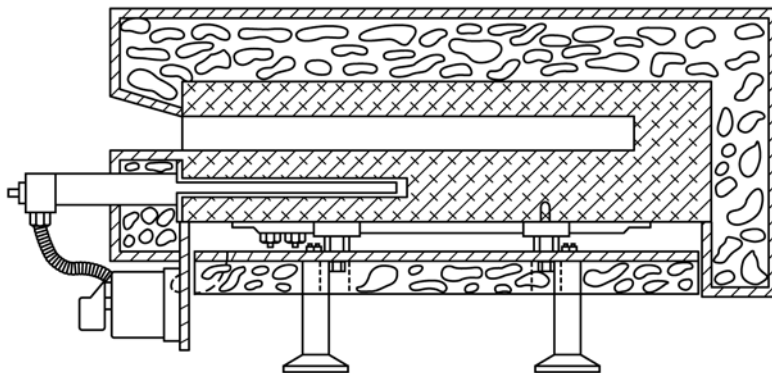


FIG. 1 Oven for Permanency of Pigment Test

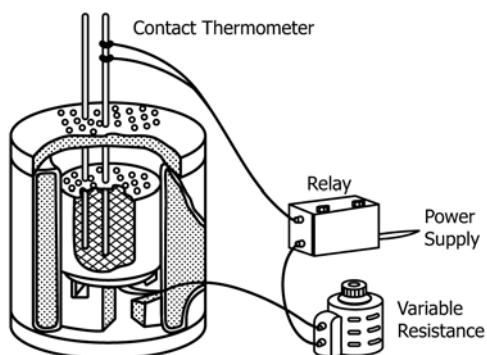


FIG. 2 Air Bath for Bulb Stability Test

cooling in still air is used, determine the reference reading within 1 h. Return the thermometer to the bath, preheated to the temperature of test, and heat for 24 h. Allow the thermometer to cool, at the same rate as at the start of the test, to the temperature referred to above, and redetermine the reference reading under the same conditions as before. The magnitude of any change in this reference reading as a result of the 24-h heating period is a measure of the quality of the bulb glass and the adequacy of the previous heat treatment accorded the thermometer in manufacture.

12.1.2 For kinematic viscosity thermometers used for measuring temperatures at and above 50°C (122°F), the following bulb stability test is used.

12.1.2.1 Heat the thermometer to the selected reference point on the main scale, maintain the temperature for at least 15 min, and determine the scale correction at this point.

12.1.2.2 Allow the thermometer to cool slowly in the test bath (or naturally in still air) to at least a span of 20° on the Celsius scale (36° on the Fahrenheit scale) above ambient or to 50°C (122°F), whichever is the lower, and then determine the correction after at least 15 min at the ice point. If natural cooling is used, the correction should be determined within 1 h.

12.1.2.3 Heat the thermometer again to the selected reference point on the main scale, keep it at this temperature for 168 h. Allow the thermometer to cool as described in 12.1.2.2 and then repeat the procedures described in 12.1.2.1 and 12.1.2.2. It must be emphasized that to obtain meaningful results, the procedure adopted after the 168-h period of heating must be identical to that used in the original calibration.

13. Scale Error

13.1 Thermometers shall be verified and calibrated at the temperatures specified in Table 4. Partial immersion thermometers shall be calibrated for the emergent stem temperatures specified in Table 4.

13.1.1 At the time of purchase, the scale errors shall be within the maximum scale error found in Table 1. The indications of many high temperature and fractionally graduated thermometers may change with time and continued use due to minute changes in bulb volume. Periodic verification of these thermometers, either over the entire scale or reverification at a reference temperature (ice point or steam point), in accordance with procedures set forth in Test Method E77, is recommended. For additional information on preparing ice-point baths see Practice E563.

13.2 Due to the application requirements for range and construction of the following thermometers, it is not practical to include reference points such as the ice and steam points.

- 13C, 14C, 14F, 17C, 17F, 18C, 18F, 19C, 19F, 20C, 20F, 21C, 21F, 23C, 24C, 26C, 27C, 38C, 49C, 50F, 51F, 56C, 56F, 76F, 77F, 78F, 79F, 80F, 81F, 83C, 83F, 84C, 84F, 87C, 87F, 91C, 92C, 93C, 96C, 98C, 98F, 100C, 101C, 102C, 103C, 104C, 105C, 106C, 107C, 108F, 109F, 111C, 116C, 117C, 122C, 123C, and 124C

14. Case

14.1 Each thermometer shall be supplied in a suitable case on which shall appear the following marking (except when a transparent case is used): the letters “ASTM,” the thermometer number (33C, 33F, etc.), and the temperature range.

15. Methods of Verification and Calibration

15.1 Thermometers shall be verified and calibrated at the specified immersion in accordance with Test Method E77.

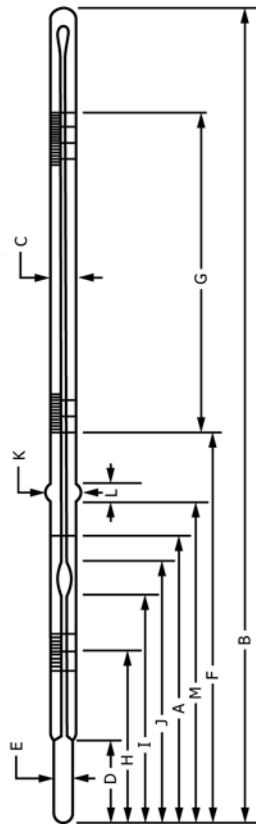
15.2 For partial immersion thermometers, careful consideration of emergent stem temperatures shall be observed.

15.2.1 During the manufacture of partial immersion thermometers, the manufacturer shall calibrate the thermometers so the indicated temperatures are within the maximum permissible errors found in Table 1 when the emergent stem temperatures found in Table 4 are applied to the readings.

NOTE 4—To achieve the requirements in 15.2.1, the manufacturer may have to measure emergent stem temperatures above its bath, calculate correction factors, and offset its calibrations accordingly. See Test Method E77 for the procedure to correct for emergent stem temperatures.

TABLE 1 Specification for ASTM Thermometers

All dimensions are in millimeters.
See Table 4 for Verification and Calibration Temperatures.



Explanatory Notes:

- ^A An expansion chamber is provided for relief of gas pressure to avoid distortion of the bulb at higher temperatures. It is not for the purpose of joining mercury separations and under no circumstances should the thermometer be heated above the highest temperature reading.
- ^B Toluene or other suitable liquid colored red with a permanent dye shall be used as the actuating liquid.
- ^C Under certain test conditions, the bulb of the thermometer may be 28 °C (50 °F) above the temperature indicated by the thermometer, and at an indicated temperature of 371 °C (700 °F) the temperature of the bulb is approaching a critical range in the glass. It is therefore not desirable to use this thermometer under such conditions at indicated temperatures above 371 °C (700 °F) without checking the ice point.
- ^D Longest graduation lines at 155 °C, 160 °C, 162 °C, 164 °C, 165 °C, and 170 °C, with arrows at 162 °C and 164 °C.
- ^E The length of the enlargement, and the distance from the bottom of the enlargement to the bottom of the bulb shall be measured with the test gage shown in Fig. 1.
- ^F Long, narrow shape.
- ^G The test temperature shall be indicated by an arrow whether the graduation corresponding to that point is numbered or not.
- ^H Long, narrow shape; mercury shall be in the chamber at 0 °C (32 °F).
- ^I The thermometer shall be made to be mounted in a brass ferrule consisting of a tubular bushing 8.0 mm in outside diameter with a flanged head approximately 12 mm in diameter so that the upper extremity of the 8.0 mm diameter is located 90 mm from the bottom of the bulb.
- ^J To be marked on the glass stem at least 90 mm from the bottom of the bulb.
- ^K Glass button finish, see 6.2.1.
- ^L Long, narrow shape; mercury shall be near bottom of the chamber at 0 °C.
- ^M For kinematic viscosity thermometers, the ice-point reading shall be taken within 1 h after being at the test temperature for not less than 3 minutes. The ice-point reading shall be expressed to the nearest 0.01 °C or 0.02 °F and applied as explained in Test Method E77, Section 13.
- ^N Thermometers made to these specifications conform also with the requirements for the titer test thermometer of the American Oil Chemists Society and the Association of Official Agricultural Chemists, except for the special inscription.
- ^O Capillary clearances must conform to Section 8.
- ^P Mercury shall be near middle of chamber at 0 °C.
- ^Q The stem may be either the plain front or lens front type. If the thermometer is of the lens front type, the cross section of the stem shall be such that it will pass through an 8-mm ring gage but will not enter a 5-mm slot gage.
- ^R A suitable mercury-thallium alloy shall be used as the actuating liquid.
- ^S The expansion chamber shall be of the long narrow type 10 to 20 mm in length. The length of unchanged capillary between the nearest graduation mark and the expansion chamber shall be not less than 10 mm.
- ^T Mercury shall be near the bottom of the chamber at 0 °C.
- ^U The length of unchanged capillary between the nearest graduation mark and contraction chamber shall be not less than 10 mm.
- ^V Change in correction over any 5 °F interval shall not exceed 0.10 °F.
- ^W Expansion chamber shall be of the long narrow type and there shall be not less than 10 mm of unchanged capillary between the base of the chamber and the top graduation.
- ^X Mercury shall be in the chamber at 32 °F.
- ^Y Over any interval of 2 °C the change in correction shall not exceed 0.02 °C.
- ^Z Over any interval of 4 °F the change in correction shall not exceed 0.05 °F.
- ^{AA} Special finish, see 6.2.2.
- ^{BB} The bulb diameter shall not be more than 0.5 mm greater than the stem.
- ^{CC} The stem shall be of the lens front type. The cross section of the stem shall be such that it will pass through a 8.0-mm ring gage but will not enter a 5.0-mm slot gage. A minor diameter of 4 mm is permissible provided that the major diameter is not less than 7 mm.
- ^{DD} Bulb bottom shall be essentially hemispherical.
- ^{EE} Immersion line shall be omitted.

^{FF} For Fahrenheit thermometers, dimension G (length of graduated portion) shall be measured as the length of graduated portion corresponding to the nominal Celsius range.

^{GG} The immersion line shall be visible in the case opening after assembly. The immersion shall be measured from the bottom of the bulb rather than from the bottom of the armor. See 6.2.2.

^{HH} The stem shall be either the round or lens-front type.

^{II} Contraction chamber to be long narrow type.

^{JJ} Over any interval of 1 °C the change in correction shall not exceed 0.01 °C. The correction at the lowest temperature of the nominal range shall not change by more than 0.02 °C immediately after the thermometer has been heated for 15 min at a temperature 30 °C higher, and allowed to cool naturally in air.

^{KK} The capillary bore shall be large enough in relation to the bulb to ensure that (without tapping) jumping of the meniscus does not exceed one half of the smallest scale division, when the temperature is rising at a uniform rate not exceeding 0.05 °C/min.

^{LL} The thermometer is to be calibrated for 100-mm immersion for the main scale, the ice point is to be calibrated for total immersion.

^{MM} Bulb shape ellipsoidal (see Fig. 2).

^{NW} This thermometer may be furnished with an optional ring top. See 6.2.3. Addition of a ring top will increase the total length by an amount equal to the outside diameter of the ring.

^{OO} The stem shall be of the lens front type. The cross section of the stem shall be such that it will pass through a 7.0 mm ring gage.

ASTM No.	1C-99	1F-99 ^{FF}	2C-99	2F-99 ^{FF}	3C-99	3F-99 ^{FF}
IP No.			62C		73C	
Name		Partial Immersion 3	Partial Immersion 3	Partial Immersion 3	Partial Immersion 3	Partial Immersion 3
Reference Fig. No.						
Range	-20 to +150°C	0 to 302°F	-5 to +300°C	20 to 580°F	-5 to +400°C	20 to 760°F
For test at						
A Immersion, mm		76		76		76
Graduations:						
Subdivisions	1°C	2°F	1°C	2°F	1°C	2°F
Long lines at each	5°C	10°F	5°C	10°F	5°C	10°F
Numbers at each	10°C	20°F	10°C	20°F	10°C	20°F
Scale error, max	0.5°C	1°F	1°C	2°F	1°C to 301°C 1.5°C above 301°C	2°F to 574°F 3°F above 574°F
Special inscription		ASTM 1C-99 or 1F-99 76 MM IMM		ASTM 2C-99 or 2F-99 76 MM IMM	ASTM 3C-99 or 3F-99 76 MM IMM	ASTM A 410 to 420 6.0 to 7.5 10 to 15 5.0 to 6.0
Expansion chamber:						
Permit heating to	200°C	392°F				
B Total length, mm		317 to 327		385 to 395		
C Stem OD, mm		6.0 to 7.0		6.0 to 7.0		
D Bulb length, mm		19 to 25		10 to 15		
E Bulb OD, mm		5.0 to 6.0		5.0 to 6.0		
Scale location:						
Bottom of bulb to line at	0°C	32°F	0°C	32°F	0°C	32°F
F Distance, mm		111 to 118		100 to 110		100 to 110
G Length of graduated portion, mm		170 to 200 ^o		225 to 265 ^o		250 to 290 ^o
Ice-point scale:						
Range						
H Bottom of bulb to ice-point, mm						
Contraction chamber:						
I Distance to bottom, min, mm						
J Distance to top, max, mm						
Stem enlargement:						
K OD, mm						
L Length, mm						
M Distance to bottom, mm						

^A An expansion chamber is provided for relief of gas pressure to avoid distortion of the bulb at higher temperatures. It is not for the purpose of joining mercury separations and under no circumstances should the thermometer be heated above the highest temperature reading.

^B Under certain test conditions, the bulb of the thermometer may be 28°C (50°F) above the temperature indicated by the thermometer, and at an indicated temperature of 371°C (700°F) the temperature of the bulb is approaching a critical range in the glass. It is therefore not desirable to use this thermometer under such conditions at indicated temperatures above 371°C (700°F) without checking the ice point.

^O Capillary clearances shall conform to Section 8.

^{FF} For Fahrenheit thermometers, dimension G (length of graduated portion) shall be measured as the length of graduated portion corresponding to the nominal Celsius range.

TABLE 1 Continued

	ASTM No.	5C-86	5F-86 ^{FF}	6C-86	6F-86 ^{FF}	7C-86	7F-86 ^{FF}
IP No.		1C		2C		5C	
Name		Cloud and Pour		Low Cloud and Pour ^B		Low Distillation	
Reference Fig. No.		3		3		4	
Range		-38 to +50°C	-36 to +120°F	-80 to +20°C	-112 to +70°F	-2 to +300°C	30 to 580°F
For test at							
A Immersion, mm		108		76		total	
Graduations:							
Subdivisions		1°C	2°F	1°C	2°F	1°C	2°F
Long lines at each		5°C	10°F	5°C	10°F	5°C	10°F
Numbers at each		10°C	20°F	10°C	20°F	10°C	20°F
Scale error, max		0.5°C	1°F	1°C to -33°C	2°F to -28°F	0.5°C to 150°C	1°F to 300°F
Special inscription		ASTM 5C-86 or 5F-86 108 MM IMM		ASTM 6C-86 or 6F-86 76 MM IMM		ASTM 7C-86 or 7F-86	
Expansion chamber:							
Permit heating to		100°C	212°F	60°C	140°F	A	
B Total length, mm			225 to 235		225 to 235	380 to 390	
C Stem OD, mm			6.0 to 8.0		6.0 to 8.0	6.0 to 8.0	
D Bulb length, mm			7 to 10		7 to 10	10 to 15	
E Bulb OD, mm			<5.5 and >stem		<5.0 and >stem	<5.0 and >stem	
Scale location:							
Bottom of bulb to line at		-38°C	-36°F	-70°C	-94°F	0°C	32°F
F Distance, mm			120 to 130		100 to 120	100 to 110	
G Length of graduated portion, mm			65 to 85 ^o		70 to 100 ^o	225 to 255 ^o	
Ice-point scale:							
Range							
Bottom of bulb to ice-point, mm							
Contraction chamber:							
I Distance to bottom, min, mm							
J Distance to top, max, mm							
Stem enlargement:							
K OD, mm							
L Length, mm							
M Distance to bottom, mm							
^A An expansion chamber is provided for relief of gas pressure to avoid distortion of the bulb at higher temperatures. It is not for the purpose of joining mercury separations and under no circumstances should the thermometer be heated above the highest temperature reading.							
^B Toluene or other suitable liquid colored red with a permanent dye shall be used as the actuating liquid.							
^o Capillary clearances shall conform to Section 8.							
^{FF} For Fahrenheit thermometers, dimension G (length of graduated portion) shall be measured as the length of graduated portion corresponding to the nominal Celsius range.							
	ASTM No.	8C-86	8F-86 ^{FF}	9C-86	9F-86 ^{FF}	10C-86	10F-86 ^{FF}
IP No.		6C		15C		16C	
Name		High Distillation		Low-Pensky-Martens		High-Pensky-Martens	
Reference Fig. No.		4		5		5	
Range		-2 to +400°C ^C	30 to 760°F ^C	-5 to +110°C	20 to 230°F	90 to 370°C	200 to 700°F
For test at							
A Immersion, mm							
Graduations:							
Subdivisions		1°C	2°F	0.5°C	1°F	2°C	5°F
Long lines at each		5°C	10°F	1°C and 5°C	5°F	10°C	25°F
Numbers at each		10°C	20°F	5°C	10°F	20°C	50°F
Scale error, max		1°C to 300°C	2°F to 570°F	0.5°C	1°F	1°C to 260°C	2.5°F to 500°F
		1.5°C above 300°C	3°F above 570°F			2°C above 260°C	3.5°F above 500°F

TABLE 1 Continued

Special inscription	ASTM 8C-86 or 8F-86	ASTM 9C-86 or 9F-86 57 MM IMM	ASTM 10C-86 or 10F-86 57 MM IMM
Expansion chamber: Permit heating to			
B Total length, mm	380 to 390	285 to 295	285 to 295
C Stem OD, mm	6.0 to 8.0	6.0 to 7.0	6.0 to 7.0
D Bulb length, mm	10 to 15	9 to 13	7 to 10
E Bulb OD, mm	<4.5.0 and >stem	<4.5.0 and >stem	<4.5.0 and >stem
Scale location: Bottom of bulb to line at	32°F	32°F	200°F
F Distance, mm	30 to 40	85 to 95	80 to 90
G Length of graduated portion, mm	290 to 330 ^o	140 to 175 ^o	145 to 180 ^o
Ice-point scale: Range	0°C	0°C	90°C
H Bottom of bulb to ice-point, mm			
Contraction chamber: I Distance to bottom, min, mm			
J Distance to top, max, mm			
Stem enlargement			
K OD, mm		7.5 to 8.5	7.5 to 8.5
L Length, mm		2.5 to 5.0 ^E	2.5 to 5.0 ^F
M Distance to bottom, mm		64 to 66	64 to 66

^A An expansion chamber is provided for relief of gas pressure to avoid distortion of the bulb at higher temperatures. It is not for the purpose of joining mercury separations and under no circumstances should the thermometer be heated above the highest temperature reading.

^C Under certain test conditions, the bulb of the thermometer may be 28°C (50°F) above the temperature indicated by the thermometer, and at an indicated temperature of 371°C (700°F) the temperature of the bulb is approaching a critical range in the glass. It is therefore not desirable to use this thermometer under such conditions at indicated temperatures above 371°C (700°F) without checking the ice point.

^E The length of the enlargement, and the distance from the bottom of the enlargement to the bottom of the bulb shall be measured with the test gage shown in Fig. 1.

^o Capillary clearances shall conform to Section 8.

^{FF} For Fahrenheit thermometers, dimension G (length of graduated portion) shall be measured as the length of graduated portion corresponding to the nominal Celsius range.

IP No.	ASTM No.	11C-86	11F-86 ^{FF}	12C-98	12F-98 ^{FF}	13C-86
Name	28C			64C	64F	47C
Reference Fig. No.					Density-Wide Range	Loss on Heat
Range					4	9
For test at						155 to 170°C
A Immersion, mm					total	total
Graduations:						
Subdivisions	2°C			0.2°C	0.5°F	0.5°C
Long lines at each	10°C			1°C	1°F	1°C ^D
Numbers at each	20°C			2°C	5°F	155°C, 160°C, 165°C, 170°C
Scale error, max	2°C to 260°C 4°C above 260°C			0.15°C	0.25°F	0.5°C
Special inscription					ASTM 12C-98 or 12F-98	ASTM 13C-86
Expansion chamber: Permit heating to						
B Total length, mm				150°C	300°F	200°C
C Stem OD, mm					415 to 425	150 to 160
D Bulb length, mm					6.0 to 8.0	5.5 to 7.0
E Bulb OD, mm					15 to 20	10 to 15
Scale location: Bottom of bulb to line at					bulb size >stem size	<5.0 and >stem
F Distance, mm					35 to 50	155°C
G Length of graduated portion, mm					305 to 350 ^o	50 to 60 40 to 60 ^o

TABLE 1 Continued

Ice-point scale:		14C-86		14F-86 ^{FF}		15C-86		15F-86 ^{FF}		16C-86		16F-86 ^{FF}	
Range		17C		60C		61C		61C		61C		61C	
Bottom of bulb to ice-point, mm		38 to 82°C		100 to 180°F		-2 to +80°C		30 to 180°F		30 to 200°C		85 to 392°F	
Contraction chamber:		Wax Melting Point		Wax Melting Point		Low Softening Point		Low Softening Point		High Softening Point		High Softening Point	
Distance to bottom, min, mm		7		79		4		4		4		4	
Distance to top, max, mm		79		total		total		total		total		total	
Stem enlargement:		ASTM		ASTM		ASTM		ASTM		ASTM		ASTM	
OD, mm		14C-86 or 14F-86		14C-86 or 14F-86		15C-86 or 15F-86		15C-86 or 15F-86		16C-86 or 16F-86		16C-86 or 16F-86	
Length, mm		79 MM IMM		370 to 380		390 to 400		390 to 400		390 to 400		390 to 400	
Distance to bottom, mm		100°C		6.0 to 8.0		6.0 to 8.0		6.0 to 8.0		6.0 to 8.0		6.0 to 8.0	
Range		38 to 82°C		212°F		130°C		270°F		250°C		482°F	
Contraction chamber:		0.1°C		0.2°F		0.2°C		0.5°F		0.5°C		1°F	
Distance to bottom, min, mm		0.5°C		1°F		1°C		1°F		1°C		5°F	
Distance to top, max, mm		1°C		2°F		2°C		5°F		5°C		10°F	
Stem enlargement:		0.1°C		0.2°F		0.2°C		0.4°F		0.3°C		0.5°F	
OD, mm		ASTM		ASTM		ASTM		ASTM		ASTM		ASTM	
Length, mm		14C-86 or 14F-86		104°F		0°C		32°F		30°C		86°F	
Distance to bottom, mm		79 MM IMM		115 to 125		0°C		75 to 90		30°C		75 to 90	
Range		38 to 82°C		210 to 240°		0°C		245 to 285 °		16C-86 or 16F-86		16C-86 or 16F-86	
Contraction chamber:		Wax Melting Point		Wax Melting Point		Low Softening Point		Low Softening Point		High Softening Point		High Softening Point	
Distance to bottom, min, mm		7		79		4		4		4		4	
Distance to top, max, mm		79		total		total		total		total		total	
Stem enlargement:		ASTM		ASTM		ASTM		ASTM		ASTM		ASTM	
OD, mm		14C-86 or 14F-86		14C-86 or 14F-86		15C-86 or 15F-86		15C-86 or 15F-86		16C-86 or 16F-86		16C-86 or 16F-86	
Length, mm		79 MM IMM		370 to 380		390 to 400		390 to 400		390 to 400		390 to 400	
Distance to bottom, mm		100°C		6.0 to 8.0		6.0 to 8.0		6.0 to 8.0		6.0 to 8.0		6.0 to 8.0	
Range		38 to 82°C		212°F		130°C		270°F		250°C		482°F	
Contraction chamber:		0.1°C		0.2°F		0.2°C		0.5°F		0.5°C		1°F	
Distance to bottom, min, mm		0.5°C		1°F		1°C		1°F		1°C		5°F	
Distance to top, max, mm		1°C		2°F		2°C		5°F		5°C		10°F	
Stem enlargement:		0.1°C		0.2°F		0.2°C		0.4°F		0.3°C		0.5°F	
OD, mm		ASTM		ASTM		ASTM		ASTM		ASTM		ASTM	
Length, mm		14C-86 or 14F-86		104°F		0°C		32°F		30°C		86°F	
Distance to bottom, mm		79 MM IMM		115 to 125		0°C		75 to 90		30°C		75 to 90	
Range		38 to 82°C		210 to 240°		0°C		245 to 285 °		16C-86 or 16F-86		16C-86 or 16F-86	

^A An expansion chamber is provided for relief of gas pressure to avoid distortion of the bulb at higher temperatures. It is not for the purpose of joining mercury separations, and under no circumstances should the thermometer be heated above the highest temperature reading.

^c Under certain test conditions, the bulb of the thermometer may be 28°C (50°F) above the temperature indicated by the thermometer, and at an indicated temperature of 371°C (700°F) the temperature of the bulb is approaching a critical range in the glass. It is therefore not desirable to use this thermometer under such conditions at indicated temperatures above 371°C (700°F) without checking the ice point.

^D Longest graduation lines at 155°C, 160°C, 162°C, 164°C, 165°C, and 170°C, with arrows at 162°C and 164°C.

^F Long, narrow shape.

^O Capillary clearances shall conform to Section 8.

^{FF} For Fahrenheit thermometers, dimension G (length of graduated portion) shall be measured as the length of graduated portion corresponding to the nominal Celsius range.

^{MM} This thermometer may be furnished with an optional ring top. See 6.2.3. Addition of a ring top will increase the total length by an amount equal to the outside diameter of the ring.

^O Capillary clearances shall conform to Section 8.
^{FF} For Fahrenheit thermometers, dimension G (length of graduated portion) shall be measured as the length of graduated portion corresponding to the nominal Celsius range.

TABLE 1 Continued

	ASTM No.	17C-86	17F-86 ^{FF}	18C-86 23C	18F-86 ^{FF}	19C-86	19F-86 ^{FF}
IP No.							
Name							
Reference Fig. No.							
Range							
For test at							
A Immersion, mm							
Graduations:							
Subdivisions							
Long lines at each							
Numbers at each							
Scale error, max							
Special inscription							
Expansion chamber:							
Permit heating to							
B Total length, mm							
C Stem OD, mm							
D Bulb length, mm							
E Bulb OD, mm							
Scale location:							
Bottom of bulb to line at							
F Distance, mm							
G Length of graduated portion, mm							
Ice-point scale:							
Range							
H Bottom of bulb to ice-point, mm							
Contraction chamber:							
I Distance to bottom, min, mm							
J Distance to top, max, mm							
Stem enlargement:							
K OD, mm							
L Length, mm							
M Distance to bottom, mm							
^G The test temperatures shall be indicated by an arrow whether the graduation corresponding to that point is numbered or not. ^H Long, narrow shape; mercury shall be in the chamber at 0°C (32°F). ^O Capillary clearances shall conform to Section 8. ^{FF} For Fahrenheit thermometers, dimension G (length of graduated portion) shall be measured as the length of graduated portion corresponding to the nominal Celsius range.							
IP No.							
Name							
Reference Fig. No.							
Range							
For test at							
A Immersion, mm							
Graduations:							
Subdivisions							
Long lines at each							
Numbers at each							
Scale error, max							
Special inscription							
Expansion chamber:							
Permit heating to							
B Total length, mm							
C Stem OD, mm							

TABLE 1 Continued

D	Bulb length, mm	25 to 35	25 to 35	25 to 35	25 to 35
E	Bulb OD, mm	≤5.0 and ≥stem	≤5.0 and ≥stem	≤5.0 and ≥stem	≤5.0 and ≥stem
	Scale location:				
F	Bottom of bulb to line at				
F	Distance, mm	134°F	134°F	174°F	204°F
G	Length of graduated portion, mm	57°C	79°C	95°C	135 to 150
	Ice-point scale:				70 to 100°
	Range				
H	Bottom of bulb to ice-point, mm				
	Contraction chamber:				
I	Distance to bottom, min, mm				60 ^H
J	Distance to top, max, mm				
K	Stem enlargement:				
K	OD, mm	8.0 to 10.0	8.0 to 10.0		8.0 to 10.0
L	Length, mm	4.0 to 7.0	4.0 to 7.0		4.0 to 7.0
M	Distance to bottom, mm	112 to 116	112 to 116		112 to 116
	^G The test temperatures shall be indicated by an arrow whether the graduation corresponding to that point is numbered or not.				
	^H Long, narrow shape; mercury shall be in the chamber at 0°C (32°F).				
	^O Capillary clearances shall conform to Section 8.				
	^{FF} For Fahrenheit thermometers, dimension G (length of graduated portion) shall be measured as the length of graduated portion corresponding to the nominal Celsius range.				
		23C-86	24C-86	25C-86	
		ASTM No.	ASTM No.	ASTM No.	
IP No.	Name	Engler Viscosity ^I	Engler Viscosity ^I	Engler Viscosity ^I	Engler Viscosity ^I
Reference Fig. No.		7 ^K	7 ^K	7 ^K	7 ^K
Range		18 to 28°C	39 to 54°C	95 to 105°C	95 to 105°C
For test at		25°C	40 and 50°C	100°C	100°C
A	Immersion, mm	90	90	90	90
	Graduations:				
	Subdivisions	0.2°C	0.2°C	0.2°C	0.2°C
	Long lines at each	1°C	1°C	1°C	1°C
	Numbers at each	2°C full figures at 25	2°C full figures at 40 and 50	2°C full figures at 100	2°C full figures at 100
	Scale error, max	0.1°C at 25°C	0.1°C at 40 and 50°C	0.1°C at 100°C	0.1°C at 100°C
	Special inscription	ASTM	ASTM	ASTM	ASTM
		23C-86	24C-86	25C-86	25C-86
		90 MM IMM ^J	90 MM IMM ^J	90 MM IMM ^J	90 MM IMM ^J
	Expansion chamber:				
	Permit heating to				
B	Total length, mm	100°C	105°C	155°C	155°C
C	Stem OD, mm	207 to 217	232 to 242	207 to 217	207 to 217
D	Bulb length, mm	5.5 to 6.5	5.5 to 6.5	5.5 to 6.5	5.5 to 6.5
E	Bulb OD, mm	13 to 19	13 to 19	13 to 19	13 to 19
	Scale location:				
	Bottom of bulb to line at				
F	Distance, mm	18°C	39°C	95°C	95°C
G	Length of graduated portion, mm	108 to 118	108 to 118	108 to 118	108 to 118
	Ice-point scale:				
	Range	42 to 69°	67 to 94°	42 to 69°	42 to 69°
H	Bottom of bulb to ice-point, mm				
	Contraction chamber:				
I	Distance to bottom, min, mm				60 ^I
J	Distance to top, max, mm				
K	Stem enlargement:				
K	OD, mm	60 ^I	60 ^I		60 ^I
L	Length, mm				
M	Distance to bottom, mm				

TABLE 1 Continued

^IThe thermometer shall be made to be mounted in a brass ferrule consisting of a tubular bushing 8.0 mm in outside diameter with a flanged head approximately 12 mm in diameter so that the upper extremity of the 8.0 mm diameter is located 90 mm from the bottom of the bulb.
^JTo be marked on the glass stem at least 90 mm from the bottom of the bulb.
^KGlass button finish, see 6.2.1.
^LLong, narrow shape; mercury shall be near bottom of the chamber at 0°C.
^OCapillary clearances shall conform to Section 8.

IP No.	ASTM No.	26C-86	27C-86	28C-86	28F-86 ^{FF}
Name		Stability Test of Soluble Nitrocellulose	Turpentine Distillation	31C	Kinematic Viscosity ^M
Reference Fig. No.	9		7		6
Range	130 to 140°C		147 to 182°C	36.6 to 39.4°C	97.5 to 102.5°F
For test at	134.5°C			37.8°C	100°F
A Immersion, mm	total		76		total
Graduations:					
Subdivisions	0.1°C		0.5°C	0.05°C	0.1°F
Long lines at each	0.5°C		1°C	0.1 and 0.5°C	0.5 and 1°F
Numbers at each	1°C and in full at 130, 135, 140		2°C from 148	1°C	1°F
Scale error, max	0.2°C		0.5°C	0.1°C	0.2°F
Special Inscription	ASTM		ASTM		ASTM
	26C-86		27C-86		28C-86 or 28F-86
			76 MM IMM		
Expansion chamber:					
Permit heating to	175°C		230°C	105°C	220°F
B Total length, mm	458 to 468		296 to 306		300 to 310
C Stem OD, mm	6.5 to 8.0		6.0 to 7.0		6.0 to 8.0
D Bulb length, mm	54 to 67		10 to 15		45 to 55
E Bulb OD, mm	6.0 to 7.0		4.0 to 5.5		>stem
Scale location:					
Bottom of bulb to line at	134.5°C		147°C	36.6°C	97.5°F
F Distance, mm	320 to 340		100 to 115		145 to 165
G Length of graduated portion, mm	112 to 145 ^O		131 to 166 ^O		40 to 90 ^O
Ice-point scale:					
Range				-0.3 to + 0.3°C ^O	31.5 to 32.5°F ^O
H Bottom of bulb to ice-point, mm					
Contraction chamber:					
I Distance to bottom, min, mm					100
J Distance to top, max, mm	100 ^I		40 ^I		125
K Stem enlargement:					
L OD, mm					
M Length, mm					
N Distance to bottom, mm					
^I Long, narrow shape; mercury shall be near bottom of the chamber at 0°C. ^M For kinematic viscosity thermometers, the ice-point reading shall be taken within 1 h after being at the test temperature for not less than 3 minutes. The ice-point reading shall be expressed to the nearest 0.01°C or 0.02°F and applied as explained in Test Method E77, Section 13. ^O Capillary clearances shall conform to Section 8. ^{FF} For Fahrenheit thermometers, dimension G (length of graduated portion) shall be measured as the length of graduated portion corresponding to the nominal Celsius range.					
IP No.	ASTM No.	29C-86	29F-86 ^{FF}	30F-86 ^{FF}	33C-86
Name		34C			20C
Reference Fig. No.					Low Aniline Point
Range		52.6 to 55.4°C	127.5 to 132.5°F	207.5 to 212.5°F	3
For test at		54.4°C	130°F	210°F	-36.5 to + 107.5°F
A Immersion, mm				total	50
Graduations:					
Subdivisions		0.05°C	0.1°F	0.1°F	0.5°F
Long lines at each		0.1 and 0.5°C	0.5 and 1°F	0.5 and 1°F	1°F

TABLE 1 Continued

	1°C	1°F	1°F	1°F	2°C	5°F
Numbers at each Scale error, max	0.1°C	0.2°F	0.2°F	0.2°F	0.2°C	0.5°F
Special inscription		ASTM 29C-86 or 29F-86	ASTM 30F-86	ASTM 30F-86		ASTM 33C-86 or 33F-86 50 MM IMM
Expansion chamber: Permit heating to						
B Total length, mm	105°C	220°F	266°F	266°F	100°C	212°F
C Stem OD, mm		300 to 310	300 to 310	300 to 310		415 to 425
D Bulb length, mm		6.0 to 8.0	6.0 to 8.0	6.0 to 8.0		6.0 to 7.5
E Bulb OD, mm		45 to 55	45 to 55	45 to 55		10 to 20
Scale location:		→stem	→stem	→stem		←5.0 and →stem
F Bottom of bulb to line at Distance, mm	52.6°C	127.5°F	207.5°F	207.5°F	-35°C	-31°F
G Length of graduated portion, mm		145 to 165	145 to 165	145 to 165		100 to 125
Ice-point scale:		40 to 90 ^o	40 to 90 ^o	40 to 90 ^o		240 to 280 ^o
Range	-0.3 to + 0.3°C ^o	31.5 to 32.5°F ^o	31.5 to 32.5°F ^o	31.5 to 32.5°F ^o		
H Bottom of bulb to ice-point, mm						
Contraction chamber:						
I Distance to bottom, min, mm		100	100	100		
J Distance to top, max, mm		125	125	125		
Stem enlargement:						
K OD, mm						
L Length, mm						
M Distance to bottom, mm						

^M For kinematic viscosity thermometers, the ice-point reading shall be taken within 1 h after being at the test temperature for not less than 3 minutes. The ice-point reading shall be expressed to the nearest 0.01°C or 0.02°F and applied as explained in Test Method E77, Section 13.

^o Capillary clearances shall conform to Section 8.

^{FF} For Fahrenheit thermometers, dimension G (length of graduated portion) shall be measured as the length of graduated portion corresponding to the nominal Celsius range.

	34C-86	34F-86 ^{FF}	35C-86	35F-86 ^{FF}	36C-86
IP No.	21C		59C		
Name			High Aniline Point		Titer Test ^N
Reference Fig. No.			7		3
Range	25 to 105°C	77 to 221°F	90 to 170°C	194 to 338°F	-2 to + 68°C
For test at					
A Immersion, mm		50		50	45
Graduations:					
Subdivisions	0.2°C	0.5°F	0.2°C	0.5°F	0.2°C
Long lines at each	1°C	1°F	1°C	1°F	1°C
Numbers at each	2°C	5°F	2°C	5°F	2°C
Scale error, max	0.2°C	0.5°F	0.4°C	1.0°F	0.2°C
Special inscription		ASTM 34C-86 or 34F-86 50 MM IMM		ASTM 35C-86 or 35F-86 50 MM IMM	ASTM 36C-86 45 MM IMM
Expansion chamber: Permit heating to					
B Total length, mm	150°C	302°F	220°C	428°F	85°C ^o
C Stem OD, mm		415 to 425	415 to 425	415 to 425	400 to 410
D Bulb length, mm		6.0 to 7.5	6.0 to 7.5	6.0 to 7.5	6.0 to 7.0 ^o
E Bulb OD, mm		10 to 20	10 to 20	10 to 20	15 to 25
Scale location:		←5.0 and →stem	←5.0 and →stem	←5.0 and →stem	←5.5 and →stem
F Bottom of bulb to line at Distance, mm	25°C	77°F	90°C	194°F	-2°C
G Length of graduated portion, mm		100 to 115	100 to 115	100 to 115	50 to 60
Ice-point scale:		240 to 280 ^o	240 to 280 ^o	240 to 280 ^o	290 to 320 ^o
Range					
H Bottom of bulb to ice-point, mm					

TABLE 1 Continued

		37C-86	38C-86	39C-86
Contraction chamber:				
I	Distance to bottom, min, mm			35 ^P
J	Distance to top, max, mm			
Stem enlargement:				
K	OD, mm			
L	Length, mm			
M	Distance to bottom, mm			
^N Thermometers made to these specifications conform also with the requirements for the titer test thermometer of the American Oil Chemists Society and the Association of Official Agricultural Chemists, except for the special inscription.				
^O Capillary clearances shall conform to Section 8.				
^P Mercury shall be near middle of chamber at 0°C.				
^Q The stem may be either the plain front or lens front type. If the thermometer is of the lens front type, the cross section of the stem shall be such that it will pass through an 8-mm ring gage but will not enter a 5-mm slot gage.				
^{FF} For Fahrenheit thermometers, dimension G (length of graduated portion) shall be measured as the length of graduated portion corresponding to the nominal Celsius range.				
	ASTM No.	79C	78C	79C
Solvents Distillation				
IP No.		3	3	7
Name		Solvents Distillation	Solvents Distillation	Solvents Distillation
Reference Fig. No.				
Range		-2 to + 52°C	24 to 78°C	48 to 102°C
For test at				
A	Immersion, mm	100	100	100
Graduations:				
	Subdivisions	0.2°C	0.2°C	0.2°C
	Long lines at each	1°C	1°C	1°C
	Numbers at each	2°C	2°C	2°C
	Scale error, max	0.2°C	0.2°C	0.2°C
	Special inscription	ASTM	ASTM	ASTM
Expansion chamber:				
	Permit heating to	37C-86	38C-86	39C-86
B	Total length, mm	100 MM IMM	100 MM IMM	100 MM IMM
C	Stem OD, mm	80°C	105°C	130°C
D	Bulb length, mm	390 to 400	390 to 400	390 to 400
E	Bulb OD, mm	6.0 to 8.0	6.0 to 8.0	6.0 to 8.0
	Scale location:	15 to 20	15 to 20	15 to 20
	Bottom of bulb to line at	>stem	>stem	>stem
F	Distance, mm	-2°C	24°C	48°C
G	Length of graduated portion, mm	125 to 145	125 to 145	125 to 145
	Ice-point scale:	190 to 235 ^O	190 to 235 ^O	190 to 235 ^O
	Range			
H	Bottom of bulb to ice-point, mm			
Contraction chamber:				
I	Distance to bottom, min, mm			35 ^T
J	Distance to top, max, mm			
Stem enlargement:				
K	OD, mm			
L	Length, mm			
M	Distance to bottom, mm			
^O Capillary clearances shall conform to Section 8.				
^T Mercury shall be near the bottom of the chamber at 0°C.				
	ASTM No.	80C	81C	82C
Solvents Distillation				
IP No.		7	7	7
Name		Solvents Distillation	Solvents Distillation	Solvents Distillation
Reference Fig. No.				
Range		72 to 126°C	98 to 152°C	95 to 255°C

TABLE 1 Continued

For test at		100	100	100			
A	Immersion, mm	100	100	100			
Graduations:							
	Subdivisions	0.2°C	0.2°C	0.5°C			
	Long lines at each	1°C	1°C	1°C			
	Numbers at each	2°C	2°C	5°C			
	Scale error, max	0.2°C	0.3°C	1°C			
	Special inscription	ASTM	ASTM	ASTM			
		40C-86	41C-86	42C-86			
		100 MM IMM	100 MM IMM	100 MM IMM			
Expansion chamber:							
	Permit heating to	150°C	180°C	280°C			
B	Total length, mm	390 to 400	390 to 400	390 to 400			
C	Stem OD, mm	6.0 to 8.0	6.0 to 8.0	6.0 to 8.0			
D	Bulb length, mm	15 to 20	15 to 20	15 to 20			
E	Bulb OD, mm	>stem	>stem	>stem			
Scale location:							
	Bottom of bulb to line at	72°C	98°C	95°C			
F	Distance, mm	125 to 145	125 to 145	125 to 145			
G	Length of graduated portion, mm	190 to 235 ^o	190 to 235 ^o	190 to 235 ^o			
Ice-point scale:							
	Range						
H	Bottom of bulb to ice-point, mm						
Contraction chamber:							
I	Distance to bottom, min, mm						
J	Distance to top, max, mm						
Stem enlargement:							
K	OD, mm	35 ^T	35 ^T	35 ^T			
L	Length, mm						
M	Distance to bottom, mm						
^o Capillary clearances shall conform to Section 8.							
^T Mercury shall be near the bottom of the chamber at 0°C.							
ASTM No.		43C-86	43F-86 ^{FF}	44C-86	44F-86 ^{FF}	45C-86	45F-86 ^{FF}
IP No.		65C		29C		30C	
Name							
Reference Fig. No.							
Range							
For test at							
A	Immersion, mm						
Graduations:							
	Subdivisions	0.1°C	0.2°F	0.05°C	0.1°F	0.05°C	0.1°F
	Long lines at each	0.5 and 1°C	1°F	0.1 and 0.5°C	0.5 and 1°F	0.1 and 0.5°C	0.5 and 1°F
	Numbers at each	1°C starting at -51°C	2°F starting at -60°F	1°C	1°F	1°C	1°F
	Scale error, max	0.1°C	0.2°F	0.1°C	0.2°F	0.1°C	0.2°F
	Special inscription	ASTM	ASTM	ASTM	ASTM	ASTM	ASTM
		43C-86 or 43F-86	43C-86 or 43F-86	44C-86 or 44F-86	44C-86 or 44F-86	45C-86 or 45F-86	45C-86 or 45F-86
Expansion chamber:							
	Permit heating to	105°C ^s	220°F ^s	105°C	220°F	105°C	220°F
B	Total length, mm	410 to 425		300 to 310		300 to 310	
C	Stem OD, mm	7.0 to 8.0		6.0 to 8.0		6.0 to 8.0	
D	Bulb length, mm	30 to 40		45 to 55		45 to 55	
E	Bulb OD, mm	6.0 to 7.0		>stem		>stem	
Scale location:							
	Bottom of bulb to line at	-51.6°C	-61°F	18.6°C	66.5°F	23.6°C	74.5°F
F	Distance, mm	60 to 90		145 to 165		145 to 165	

TABLE 1 Continued

	140 to 225 ^o	40 to 90 ^o	40 to 90 ^o
G Length of graduated portion, mm			
Ice-Point scale:			
Range	-0.6 to +0.6 ^o C ^o	-0.3 to +0.3 ^o C ^o	-0.3 to +0.3 ^o C ^o
Bottom of bulb to ice-point, mm	31 to 33 ^o F ^o	31.5 to 32.5 ^o F ^o	31.5 to 32.5 ^o F ^o
Contraction chamber:			
Distance to bottom, min, mm	290 ^U	100	100
Distance to top, max, mm	310 ^U	125	125
Stem enlargement:			
OD, mm			
L Length, mm			
M Distance to bottom, mm			
^M For kinematic viscosity thermometers, the ice-point reading shall be taken within 1 h after being at the test temperature for not less than 3 minutes. The ice-point reading shall be expressed to the nearest 0.01 ^o C or 0.02 ^o F and applied as explained in Test Method E77, Section 13.			
^o Capillary clearances shall conform to Section 8.			
^F A suitable mercury-thallium alloy shall be used as the actuating liquid.			
^S The expansion chamber shall be of the long narrow type 10 to 20 mm in length. The length of unchanged capillary between the nearest graduation mark and the expansion chamber shall be not less than 10 mm.			
^U The length of unchanged capillary between the nearest graduation mark and contraction chamber shall be not less than 10 mm.			
^{FF} For Fahrenheit thermometers, dimension G (length of graduated portion) shall be measured as the length of graduated portion corresponding to the nominal Celsius range.			

	46C-86	47C-86	47F-86 ^{FF}	48C-86	48F-86 ^{FF}
IP No.	66C	35C		90C	
Name	Kinematic Viscosity ^M	Kinematic Viscosity ^M	Kinematic Viscosity ^M	Kinematic Viscosity ^M	Kinematic Viscosity ^M
Reference Fig. No.					
Range	48.6 to 51.4 ^o C	58.6 to 61.4 ^o C	137.5 to 142.5 ^o F	80.6 to 83.4 ^o C	177.5 to 182.5 ^o F
For test at	50 ^o C	60 ^o C	140 ^o F	82.2 ^o C	180 ^o F
A Immersion, mm					
Graduations:					
Subdivisions	0.05 ^o C	0.05 ^o C	0.1 ^o F	0.05 ^o C	0.1 ^o F
Long lines at each	0.1 and 0.5 ^o C	0.1 and 0.5 ^o C	0.5 and 1 ^o F	0.1 and 0.5 ^o C	0.5 and 1 ^o F
Numbers at each	1 ^o C	1 ^o C	1 ^o F	1 ^o C	1 ^o F
Scale error, max	0.1 ^o C	0.1 ^o C	0.2 ^o F	0.1 ^o C	0.2 ^o F
Special inscription	ASTM	ASTM	ASTM	ASTM	ASTM
Expansion chamber:					
Permit heating to	46C-86 or 46F-86	47C-86 or 47F-86	47C-86 or 47F-86	48C-86 or 48F-86	48C-86 or 48F-86
B Total length, mm	105 ^o C	105 ^o C	220 ^o F	105 ^o C	220 ^o F
C Stem OD, mm	300 to 310	300 to 310	300 to 310	300 to 310	300 to 310
D Bulb length, mm	6.0 to 8.0	6.0 to 8.0	6.0 to 8.0	6.0 to 8.0	6.0 to 8.0
E Bulb OD, mm	45 to 55	45 to 55	45 to 55	45 to 55	45 to 55
Scale location:					
Bottom of bulb to line at					
Distance, mm	48.6 ^o C	58.6 ^o C	137.5 ^o F	80.6 ^o C	177.5 ^o F
G Length of graduated portion, mm	145 to 165	145 to 165	145 to 165	145 to 165	145 to 165
Ice-point scale:					
Range	-0.3 to +0.3 ^o C ^o	-0.3 to +0.3 ^o C ^o	31.5 to 32.5 ^o F ^o	-0.3 to +0.3 ^o C ^o	31.5 to 32.5 ^o F ^o
Bottom of bulb to ice-point, mm					
Contraction chamber:					
Distance to bottom, min, mm	100	100	100	100	100
Distance to top, max, mm	125	125	125	125	125
Stem enlargement:					
OD, mm					
L Length, mm					
M Distance to bottom, mm					
^M For kinematic viscosity thermometers, the ice-point reading shall be taken within 1 h after being at the test temperature for not less than 3 minutes. The ice-point reading shall be expressed to the nearest 0.01 ^o C or 0.02 ^o F and applied as explained in Test Method E77, Section 13.					
^o Capillary clearances shall conform to Section 8.					
^{FF} For Fahrenheit thermometers, dimension G (length of graduated portion) shall be measured as the length of graduated portion corresponding to the nominal Celsius range.					

TABLE 1 Continued

		49C-86	50F-86 ^{FF}	51F-86 ^{FF}
ASTM No.				
IP No.	Name	Stormer Viscosity	Gas Calorimeter Inlet	Gas Calorimeter Outlet
Reference Fig. No.	Range	7	9	9
For test at	A Immersion, mm	20 to 70°C	54 to 101°F	69 to 116°F
	Graduations:	65	total	total
	Subdivisions	0.2°C	0.1°F	0.1°F
	Long lines at each	1°C	0.5°F	0.5°F
	Numbers at each	2°C	1°F	1°F
	Scale error, max	0.2°C	0.2°F ^V	0.2°F ^V
	Special inscription	ASTM 49C-86	ASTM 50F-86	ASTM 51F-86
	Expansion chamber:	65 MM IMM		
	Permit heating to	100°C	150°F	212°F
B	Total length, mm	300 to 310	463 to 473	463 to 473
C	Stem OD, mm	5.5 to 6.0	6.0 to 7.0	6.0 to 7.0
D	Bulb length, mm	15 to 30	25 to 30	25 to 30
E	Bulb OD, mm	4.5.0 and 5.2 stem	6.5 to 7.0	6.5 to 7.0
	Scale location:			
F	Bottom of bulb to line at	20°C	54°F	69°F
	Distance, mm	70 to 80	100 to 120	100 to 120
G	Length of graduated portion, mm	165 to 200 ^O	292 to 338 ^O	292 to 338 ^O
	Ice-point scale:			
	Range			
H	Bottom of bulb to ice-point, mm			
	Contraction chamber:			
I	Distance to bottom, min, mm	50 ^P	43 ^X	43 ^X
J	Distance to top, max, mm			
K	Stem enlargement:			
L	OD, mm			
M	Distance to bottom, mm			
^O Capillary clearances shall conform to Section 8.				
^P Mercury shall be near middle of chamber at 0°C.				
^V Change in correction over any 5°F interval shall not exceed 0.10°F.				
^X Mercury shall be in the chamber at 32°F.				
^{FF} For Fahrenheit thermometers, dimension G (length of graduated portion) shall be measured as the length of graduated portion corresponding to the nominal Celsius range.				
		52C-86	54C-86	54F-86 ^{FF}
		ASTM No.		
IP No.	Name	Butadiene Boiling Point Range	Congealing Point	Bomb Calorimeter
Reference Fig. No.	Range	4	4	9
For test at	A Immersion, mm	-10 to + 5°C	20 to 100.6°C	66 to 95°F
	Graduations:	total	total	total
	Subdivisions	0.1°C	0.2°C	0.05°F
	Long lines at each	0.5°C	1°C	0.1 and 0.5°F
	Numbers at each	1°C	2°C	1°F
	Scale error, max	0.1°C	0.2°C	0.20°F ^Z
	Special inscription	ASTM 52C-86	ASTM 54C-86 or 54F-86	ASTM 56C-86 or 56F-86
	Expansion chamber:			

TABLE 1 Continued

	Permit heating to	100°C ^w	110°C	230°F	66°C	150°F
B	Total length, mm	157 to 167				
C	Stem OD, mm	6.0 to 6.5	305 to 315		570 to 600	
D	Bulb length, mm	9 to 13	6.0 to 8.0		7.0 to 8.0	
E	Bulb OD, mm	5.5 to >stem	10 to 12		35 to 55	
	Scale location:		4.5 to 6.0 ^{mm}		7.0 to 8.0 ^{BB}	
F	Bottom of bulb to line at	-10°C	20°C	68°F	19°C	66°F
G	Distance, mm	28 to 36				
	Length of graduated portion, mm	70 to 100 ^o	60 to 70		165 to 187	
	Ice-point scale:		170 to 215 ^o		323 to 385 ^o	
H	Range					
I	Bottom of bulb to ice-point, mm					76
J	Contraction chamber:					
	Distance to bottom, min, mm					
	Distance to top, max, mm					
K	Stem enlargement:					
L	OD, mm					
M	Length, mm					
	Distance to bottom, mm					

^o Capillary clearances shall conform to Section 8.
^w Expansion chamber shall be of the long narrow type and there shall be not less than 10 mm of unchanged capillary between the base of the chamber and the top graduation.
^y Over any interval of 2°C the change in correction shall not exceed 0.02°C.
^z Over any interval of 4°F the change in correction shall not exceed 0.05°F.
^{BB} The bulb diameter shall not be more than 0.5 mm greater than the stem.
^{FF} For Fahrenheit thermometers, dimension G (length of graduated portion) shall be measured as the length of graduated portion corresponding to the nominal Celsius range.
^{mm} Bulb shape ellipsoidal (see Fig. 2).

		57C-86	57F-86 ^{FF}	58C-86	58F-86 ^{FF}	59C-86	59F-86 ^{FF}
IP No.							
Name							
Reference Fig. No.							
Range							
For test at							
A	Immersion, mm						
	Graduations:						
	Subdivisions						
	Long lines at each						
	Numbers at each						
	Scale error, max						
	Special inscription						
	Expansion chamber:						
	Permit heating to						
B	Total length, mm	100°C	212°F	100°C	212°F	100°C	212°F
C	Stem OD, mm	282 to 292		300 to 305		300 to 305	
D	Bulb length, mm	6.0 to 7.0		15 to 25		15 to 25	
E	Bulb OD, mm	9 to 13		>stem		>stem	
	Scale location:						
F	Bottom of bulb to line at	-20°C	-4°F	-34°C	-30°F	-18°C	0°F
G	Distance, mm	75 to 90		75 to 90		65 to 80	
	Length of graduated portion, mm	143 to 177 ^o		165 to 205 ^o		175 to 210 ^o	
	Ice-point scale						
H	Range						
I	Bottom of bulb to ice-point, mm						
J	Contraction chamber:						
	Distance to bottom, min, mm						
	Distance to top, max, mm						
	Stem enlargement:						

TABLE 1 Continued

	-8 to +32°C	18 to 89°F	25 to 55°C	77 to 131°F	50 to 80°C	122 to 176°F
Range						
For test at						
A Immersion, mm						
Graduations:						
Subdivisions						
Long lines at each						
Numbers at each						
Scale error, max						
Special inscription						
Expansion chamber:						
Permit heating to						
B Total length, mm						
C Stem OD, mm						
D Bulb length, mm						
E Bulb OD, mm						
Scale location:						
Bottom of bulb to line at						
F Distance, mm						
G Length of graduated portion, mm						
Ice-point scale:						
Range						
Bottom of bulb to ice-point, mm						
Contraction chamber:						
Distance to bottom, min, mm						
Distance to top, max, mm						
Stem enlargement:						
K OD, mm						
L Length, mm						
M Distance to bottom, mm						
^O Capillary clearances shall conform to Section 8.						
^{FF} For Fahrenheit thermometers, dimension G (length of graduated portion) shall be measured as the length of graduated portion corresponding to the nominal Celsius range.						
	66C-86	66F-86 ^{FF}	67C-86	67F-86 ^{FF}	68C-86	68F-86 ^{FF}
IP						
Name						
Reference Fig. No.						
Range						
For test at						
A Immersion, mm						
Graduations:						
Subdivisions						
Long lines at each						
Numbers at each						
Scale error, max						
Special inscription						
Expansion chamber:						
Permit heating to						
B Total length, mm						
C Stem OD, mm						
D Bulb length, mm						
E Bulb OD, mm						
Scale location:						
Bottom of bulb to line at						
F Distance, mm						
G Length of graduated portion, mm						
Ice-point scale:						
Range						
Bottom of bulb to ice-point, mm						
Contraction chamber:						
Distance to bottom, min, mm						
Distance to top, max, mm						
Stem enlargement:						
K OD, mm						
L Length, mm						
M Distance to bottom, mm						
	66C-86	66F-86 ^{FF}	67C-86	67F-86 ^{FF}	68C-86	68F-86 ^{FF}
IP						
Name						
Reference Fig. No.						
Range						
For test at						
A Immersion, mm						
Graduations:						
Subdivisions						
Long lines at each						
Numbers at each						
Scale error, max						
Special inscription						
Expansion chamber:						
Permit heating to						
B Total length, mm						
C Stem OD, mm						
D Bulb length, mm						
E Bulb OD, mm						
Scale location:						
Bottom of bulb to line at						
F Distance, mm						
G Length of graduated portion, mm						
Ice-point scale:						
Range						
Bottom of bulb to ice-point, mm						
Contraction chamber:						
Distance to bottom, min, mm						
Distance to top, max, mm						
Stem enlargement:						
K OD, mm						
L Length, mm						
M Distance to bottom, mm						
	66C-86	66F-86 ^{FF}	67C-86	67F-86 ^{FF}	68C-86	68F-86 ^{FF}
IP						
Name						
Reference Fig. No.						
Range						
For test at						
A Immersion, mm						
Graduations:						
Subdivisions						
Long lines at each						
Numbers at each						
Scale error, max						
Special inscription						
Expansion chamber:						
Permit heating to						
B Total length, mm						
C Stem OD, mm						
D Bulb length, mm						
E Bulb OD, mm						
Scale location:						
Bottom of bulb to line at						
F Distance, mm						
G Length of graduated portion, mm						
Ice-point scale:						
Range						
Bottom of bulb to ice-point, mm						
Contraction chamber:						
Distance to bottom, min, mm						
Distance to top, max, mm						
Stem enlargement:						
K OD, mm						
L Length, mm						
M Distance to bottom, mm						

TABLE 1 Continued

H	Range	-0.5 to + 0.5°C ^o	31 to 33°F ^o	-1 to + 1°C ^o	30 to 34°F ^o	-1 to + 1°C ^o	30 to 34°F ^o
	Bottom of bulb to ice-point, mm	60 to 70			45 to 55		45 to 55
Contraction chamber:							
I	Distance to bottom, min, mm	80			65		65
J	Distance to top, max, mm	100			85		85
K	Stem enlargement:						
K	OD, mm						
L	Length, mm						
M	Distance to bottom, mm						
^o Capillary clearances shall conform to Section 8.							
^{FF} For Fahrenheit thermometers, dimension G (length of graduated portion) shall be measured as the length of graduated portion corresponding to the nominal Celsius range.							
ASTM No. 69C-86 69F-86 ^{FF} 70C-86 70F-86 ^{FF} 71C-86 71F-86 ^{FF}							
IP No.	Name						
	Reference Fig. No.	Precision	Precision				Oil in Wax
	Range	6	6				3
	For test at						
A	Immersion, mm	total	total				76
	Graduations:						
	Subdivisions	0.5°C	1°F	0.5°C	1°F	0.5°C	1°F
	Long lines at each	1°C	5°F	1°C	5°F	1°C	5°F
	Numbers at each	5°C	10°F	5°C	10°F	5°C	10°F
	Scale error, max	0.5°C	1°F	0.5°C	1°F	0.2°C	0.5°F
	Special inscription	ASTM	ASTM			ASTM	ASTM
		69C-86 or 69F-86	69C-86 or 70F-86	70C-86 or 70F-86	70C-86 or 70F-86	71C-86 or 71F-86	71C-86 or 71F-86
Expansion chamber:							
B	Permit heating to						
C	Total length, mm	330°C	625°F			105°C	220°F
B	Stem OD, mm	374 to 384		^A		350 to 360	
C	Bulb length, mm	6.5 to 8.0		374 to 384		6.0 to 8.0	
D	Bulb length, mm	10 to 27		6.5 to 8.0		15 to 20	
E	Bulb OD, mm	6.0 to 7.0		10 to 27		6.0 to 7.0	
	Scale location:			6.0 to 7.0			
F	Bottom of bulb to line at	195°C	383°F	295°C	563°F	-37°C	-35°F
F	Distance, mm	125 to 145		125 to 145		170 to 185	
G	Length of graduated portion, mm	179 to 219 ^o		179 to 219 ^o		105 to 140 ^o	
Ice-point scale:							
H	Range	-2 to + 2°C ^o	27 to 37°F ^o	-2 to + 2°C ^o	27 to 37°F ^o		
	Bottom of bulb to ice-point, mm	52 to 62		52 to 62			
Contraction chamber:							
I	Distance to bottom, min, mm	72		72			
J	Distance to top, max, mm	95		95			
K	Stem enlargement:						
K	OD, mm						
L	Length, mm						
M	Distance to bottom, mm						
^A An expansion chamber is provided for relief of gas pressure to avoid distortion of the bulb at higher temperatures. It is not for the purpose of joining mercury separations and under no circumstances should the thermometer be heated above the highest temperature reading.							
^C Under certain test conditions, the bulb of the thermometer may be 28°C (50°F) above the temperature indicated by the thermometer, and at an indicated temperature of 371°C (700°F) the temperature of the bulb is approaching a critical range in the glass. It is therefore not desirable to use this thermometer under such conditions at indicated temperatures above 371°C (700°F) without checking the ice point.							
^O Capillary clearances shall conform to Section 8.							
^{FF} For Fahrenheit thermometers, dimension G (length of graduated portion) shall be measured as the length of graduated portion corresponding to the nominal Celsius range.							
ASTM No. 72C-86 72F-86 ^{FF} 73C-86 73F-86 ^{FF} 74C-86 74F-86 ^{FF}							
IP No.	Name						
	Reference Fig. No.	Kinematic Viscosity ^M	Kinematic Viscosity ^M				Kinematic Viscosity ^M
	Reference Fig. No.	10	10				10

TABLE 1 Continued

Range	-19.4 to -16.6°C -17.8°C	-2.5 to +2.5°F 0°F	-41.4 to -38.6°C -40°C	-42.5 to -37.5°F -40°F	-55.4 to -52.6°C -53.9°C	-67.5 to -62.5°F -65°F
For test at						
A Immersion, mm	total		total		total	
Graduations:	0.05°C	0.1°F	0.05°C	0.1°F	0.05°C	0.1°F
Long lines at each	0.1 and 0.5°C	0.5 and 1°F	0.1 and 0.5°C	0.5 and 1°F	0.1 and 0.5°C	0.5 and 1°F
Numbers at each	1°C	1°F	1°C	1°F	1°C	1°F
Scale error, max	0.1°C	0.2°F	0.1°C	0.2°F	0.1°C	0.2°F
Special inscription	ASTM 72C-86 or 72F-86		ASTM 73C-86 or 73F-86 MERC-THAL		ASTM 74C-86 or 74F-86 MERC-THAL	
Expansion chamber:						
Permit heating to						
B Total length, mm	105°C	220°F	105°C	220°F	105°C	220°F
C Stem OD, mm	300 to 310		300 to 310		300 to 310	
D Bulb length, mm	6.0 to 8.0		6.0 to 8.0		6.0 to 8.0	
E Bulb OD, mm	45 to 55		45 to 55		45 to 55	
Scale location:	>stem		>stem		>stem	
F Bottom of bulb to line at	-19.4°C	-2.5°F	-41.4°C	-42.5°F	-55.4°C	-67.5°F
G Distance, mm	80 to 110		80 to 110		80 to 110	
Length of graduated portion, mm	40 to 90 ^o		40 to 90 ^o		40 to 90 ^o	
Ice-point scale:						
Range	-0.3 to +0.3°C ^o	31.5 to 32.5°F ^o	-0.3 to +0.3°C ^o	31.5 to 32.5°F ^o	-0.3 to +0.3°C ^o	31.5 to 32.5°F ^o
H Bottom of bulb to ice-point, mm						
Contraction chamber:						
I Distance to bottom, min, mm	180		180		180	
J Distance to top, max, mm	205		205		205	
Stem enlargement:						
K OD, mm						
L Length, mm						
M Distance to bottom, mm						
IP No.		75F-86 ^{FF}		76F-86 ^{FF}		77F-86 ^{FF}
Name						
Reference Fig. No.						
Range						
For test at						
A Immersion, mm	total		total		total	
Graduations:	0.5°F		0.5°F		0.5°F	
Subdivisions	1°F		1°F		1°F	
Long lines at each	5°F		5°F		5°F	
Numbers at each	0.5°F		0.5°F		0.5°F	
Scale error, max	ASTM		ASTM		ASTM	
Special inscription	75F-86		76F-86		77F-86	
Expansion chamber:						
Permit heating to						
B Total length, mm	140°F		140°F		315°F	
C Stem OD, mm	403 to 413		403 to 413		270 to 280	
D Bulb length, mm	6.0 to 7.0		6.0 to 7.0		6.0 to 7.0	
E Bulb OD, mm	20 to 30		20 to 30		25 to 35	
	5.0 to 6.0		5.0 to 6.0		<5.0 and >stem	
Coolant (Antifreeze) Freezing Point ^R	3	3	3	3	3	3
Saybolt Viscosity						
8						
245 to 265°F ^G						
250°F ^G						
total						

^o Capillary clearances shall conform to Section 8.

^M For kinematic viscosity thermometers, the ice-point reading shall be taken within 1 h after being at the test temperature for not less than 3 minutes. The ice-point reading shall be expressed to the nearest 0.01°C or 0.02°F and applied as explained in Test Method E77, Section 13.

^R A suitable mercury-thallium alloy shall be used as the actuating liquid.

^{FF} For Fahrenheit thermometers, dimension G (length of graduated portion) shall be measured as the length of graduated portion corresponding to the nominal Celsius range.

TABLE 1 Continued

	78F-86 ^{FF}	79F-86 ^{FF}	80F-86 ^{FF}
IP No.	ASTM No.		
Name			
Reference Fig. No.			
Range	Saybolt Viscosity 8 295 to 315°F 300°F ^G total	Saybolt Viscosity 8 345 to 365°F 350°F ^G total	Saybolt Viscosity 8 395 to 415°F 400°F ^G total
For test at			
A Immersion, mm			
Graduations:			
Subdivisions	0.5°F	0.5°F	0.5°F
Long lines at each	1°F	1°F	1°F
Numbers at each	5°F	5°F	5°F
Scale error, max	0.5°F	0.5°F	0.5°F
Special inscription	ASTM 78F-86	ASTM 79F-86	ASTM 80F-86
Expansion chamber:			
Permit heating to			
B Total length, mm	365°F 270 to 280	415°F 270 to 280	465°F 270 to 280
C Stem OD, mm	6.0 to 7.0	6.0 to 7.0	6.0 to 7.0
D Bulb length, mm	25 to 35	25 to 35	25 to 35
E Bulb OD, mm	<5.0 and >stem	<5.0 and >stem	<5.0 and >stem
Scale location:			
Bottom of bulb to line at	295°F	345°F	395°F
F Distance, mm	135 to 150	135 to 150	135 to 150
G Length of graduated portion, mm	67 to 101 ^O	67 to 101 ^O	67 to 101 ^O
Ice-point scale:			
Range	60 ^H	60 ^H	60 ^H
Bottom of bulb to ice-point, mm			
H Contraction chamber:			
I Distance to bottom, min, mm	8.0 to 10.0	8.0 to 10.0	8.0 to 10.0
J Distance to top, max, mm	4.0 to 7.0	4.0 to 7.0	4.0 to 7.0
Stem enlargement:			
K OD, mm	112 to 116	112 to 116	112 to 116
L Length, mm			
M Distance to bottom, mm			

^G The test temperature shall be indicated by an arrow whether the graduation corresponding to that point is numbered or not.

^H Long, narrow shape; mercury shall be in the chamber at 0°C (32°F).

^O Capillary clearances shall conform to Section 8.

^F A suitable mercury-thallium alloy shall be used as the actuating liquid.

^{FF} For Fahrenheit thermometers, dimension G (length of graduated portion) shall be measured as the length of graduated portion corresponding to the nominal Celsius range.

^G The test temperature shall be indicated by an arrow whether the graduation corresponding to that point is numbered or not.

^H Long, narrow shape; mercury shall be in the chamber at 0°C (32°F).

^O Capillary clearances shall conform to Section 8.

^{FF} For Fahrenheit thermometers, dimension G (length of graduated portion) shall be measured as the length of graduated portion corresponding to the nominal Celsius range.

TABLE 1 Continued

		81F-86 ^{FF}	82C-86	82F-86 ^{FF}	83C-03	83F-03 ^{FF}
		ASTM No.				
IP No.	Name	Saybolt Viscosity	Fuel Rating Engine	Fuel Rating Air-Low		
Reference Fig. No.	Range	8	11	11		
For test at		445 to 465°F 450°F ^G	0 to 220°F	60 to 160°F 125°F ^{Fand} 150°F ^G	15 to 70°C 51.7°C and 65.6°C ^G	200 to 350°F 220°F and 300°F ^G
A	Immersion, mm	total	30 ^{EE}	40 ^{EE}		
	Graduations:					
	Subdivisions	0.5°F	2°F	1°C	1°C	
	Long lines at each	1°F	10°F	5°C	5°F	
	Numbers at each	5°F	20°F	10°C	10°F	
	Scale error, max	0.5°F	2°F	1°C	2°F	
	Special inscription	ASTM	ASTM	ASTM	ASTM	
		81F-86	82C-86 or 82F-86 30 MM IMM	83C-03 or 83F-03 40 MM IMM		
	Expansion chamber:					
	Permit heating to	125°C	260°F	100°C	215°F	
B	Total length, mm	515°F	159 to 165		168 to 174	
C	Stem OD, mm	270 to 280	6.0 to 7.0		6.0 to 7.0	
D	Bulb length, mm	6.0 to 7.0	6 to 11		6 to 11	
E	Bulb OD, mm	25 to 35	5.0 to 6.5		5.0 to 6.5	
	Scale location:					
	Bottom of bulb to line at	445°F	0°F	15°C	60°F	
F	Distance, mm	135 to 150	62 to 70		71 to 78	
G	Length of graduated portion, mm	67 to 101 ^O	65 to 81 ^O		64 to 81 ^O	
	Ice-point scale:					
	Range					
H	Bottom of bulb to ice-point, mm					
	Contraction chamber:					
I	Distance to bottom, min, mm					
J	Distance to top, max, mm					
	Stem enlargement:					
K	OD, mm	8.0 to 10.0	8.0 to 9.0		8.0 to 9.0	
L	Length, mm	4.0 to 7.0				
M	Distance to bottom, mm	112 to 116	28 to 32		38 to 42	
	^G The test temperature shall be indicated by an arrow whether the graduation corresponding to that point is numbered or not.					
	^H Long, narrow shape; mercury shall be in the chamber at 0°C (32°F).					
	^O Capillary clearances shall conform to Section 8.					
	^{EE} Immersion line shall be omitted.					
	^{FF} For Fahrenheit thermometers, dimension G (length of graduated portion) shall be measured as the length of graduated portion corresponding to the nominal Celsius range.					
		84C-86	84F-86 ^{FF}	85C-86	85F-86 ^{FF}	86C-86
		ASTM No.				
IP No.	Name	Fuel Rating, Orifice Tank	Fuel Rating, Surge	Fuel Rating, Mix		
Reference Fig. No.	Range	11	11	8		
For test at		25 to 80°C 51.7°C ^G	40 to 150°C 107.2°C ^G	95 to 175°C 104.4°C and 148.9°C ^G	200 to 350°F 220°F and 300°F ^G	
A	Immersion, mm		181 ^{EE}	35 ^{EE}		
	Graduations:					
	Subdivisions	1°C	1°C	1°C	2°F	2°F
	Long lines at each	5°C	5°C	5°C	10°F	10°F
	Numbers at each	10°C	10°C	10°C	20°F	20°F
	Scale error, max	1°C	1°C	1°C	2°F	2°F

TABLE 1 Continued

	ASTM 84C-86 or 84F-86 249 MM IMM	ASTM 85C-86 or 85F-86 181 MM IMM	ASTM 86C-86 or 86F-86 35 MM IMM		
Special inscription					
Expansion chamber: Permit heating to					
B Total length, mm	100°C	170°C	195°C		
C Stem OD, mm	378 to 387 6.0 to 7.0	305 to 314 6.0 to 7.0	164 to 170 6.0 to 7.0		
D Bulb length, mm	6 to 11	6 to 11	6 to 11		
E Bulb OD, mm	5.0 to 6.5	5.0 to 6.5	5.0 to 6.5		
Scale location:					
F Bottom of bulb to line at	25°C	40°C	95°C		
G Distance, mm	284 to 292 62 to 79 ^O	213 to 221 54 to 77 ^O	67 to 75 58 to 81 ^O		
Length of graduated portion, mm					
Ice-point scale:					
Range					
H Bottom of bulb to ice-point, mm					
Contraction chamber:					
I Distance to bottom, min, mm					
J Distance to top, max, mm			22		
Stem enlargement:					
K OD, mm	8.0 to 9.0	8.0 to 9.0	8.0 to 9.0		
L Length, mm					
M Distance to bottom, mm	247 to 251	179 to 183	33 to 37		
^O Capillary clearances shall conform to Section 8.					
^{EE} Immersion line shall be omitted.					
^{FF} For Fahrenheit thermometers, dimension G (length of graduated portion) shall be measured as the length of graduated portion corresponding to the nominal Celsius range.					
	87C-86	87F-86 ^{FF}	88C-86	88F-86 ^{FF}	89C-86
IP No.					
Name					
Reference Fig. No.					
Range					
For test at	150 to 205°C 190.6°C ^G	300 to 400°F 375°F ^G	10 to 200°C	50 to 392°F	Solidification Point 3 -20 to +10°C
A Immersion, mm	40 ^{EE}			57	76
Graduations:					
Subdivisions	1°C	1°F	1°C	2°F	0.1°C
Long lines at each	5°C	5°F	5°C	10°F	0.5°C
Numbers at each	10°C	10°F	10°C	20°F	1.0°C
Scale error, max	1°C	2°F	1°C	2°F	0.1°C
Special inscription					
Expansion chamber:					
Permit heating to					
B Total length, mm	225°C	440°F	250°C	490°F	60°C
C Stem OD, mm	169 to 175 6.0 to 7.0				365 to 375
D Bulb length, mm	6 to 11				6.0 to 7.0
E Bulb OD, mm	5.0 to 6.5				18 to 28
Scale location:					
Bottom of bulb to line at					
F Distance, mm	150°C	300°F	10°C	50°F	-20°C
G Length of graduated portion, mm	72 to 80 59 to 82 ^O				116 to 130 185 to 219 ^O
Ice-point scale:					
Range					
H Bottom of bulb to ice-point, mm					
Contraction chamber:					
I Distance to bottom, min, mm					
J Distance to top, max, mm					
Stem enlargement:					

TABLE 1 Continued

	8.0 to 9.0	7.5 to 8.5 ^E 2.5 to 5.0 64 to 66	
K OD, mm	8.0 to 9.0	7.5 to 8.5 ^E 2.5 to 5.0 64 to 66	
L Length, mm	38 to 42		
M Distance to bottom, mm			
^E The length of the enlargement, and the distance from the bottom of the enlargement to the bottom of the bulb shall be measured with the test gage shown in Fig. 1. ^O Capillary clearances shall conform to Section 8. ^{EE} Immersion line shall be omitted. ^{FF} For Fahrenheit thermometers, dimension G (length of graduated portion) shall be measured as the length of graduated portion corresponding to the nominal Celsius range.			
	90C-86	91C-86	92C-86
ASTM No.			
IP No.			
Name			
Reference Fig. No.			
Range	Solidification Point 3 0 to 30°C	Solidification Point 7 20 to 50°C	Solidification Point 7 40 to 70°C
For test at			
A Immersion, mm	76	76	76
Graduations:			
Subdivisions	0.1°C	0.1°C	0.1°C
Long lines at each	0.5°C	0.5°C	0.5°C
Numbers at each	1.0°C	1.0°C	1.0°C
Scale error, max	0.1°C	0.1°C	0.1°C
Special inscription	ASTM 90C-86 76 MM IMM	ASTM 91C-86 76 MM IMM	ASTM 92C-86 76 MM IMM
Expansion chamber:			
Permit heating to	80°C	100°C	110°C
B Total length, mm	365 to 375	365 to 375	365 to 375
C Stem OD, mm	6.0 to 7.0	6.0 to 7.0	6.0 to 7.0
D Bulb length, mm	18 to 28	18 to 28	18 to 28
E Bulb OD, mm	<5.0 and >stem	<5.0 and >stem	<5.0 and >stem
Scale location:			
Bottom of bulb to line at	0°C	20°C	40°C
F Distance, mm	116 to 130	116 to 130	116 to 130
G Length of graduated portion, mm	185 to 219 ^O	185 to 219 ^O	185 to 219 ^O
Ice-point scale:			
Range			
H Bottom of bulb to ice-point, mm			
Contraction chamber:			
I Distance to bottom, min, mm			
J Distance to top, max, mm			
Stem enlargement:			
K OD, mm			
L Length, mm			
M Distance to bottom, mm			
^O Capillary clearances shall conform to Section 8.			
	93C-86	94C-86	95C-86
ASTM No.			
IP No.			
Name			
Reference Fig. No.			
Range	Solidification Point 7 60 to 90°C	Solidification Point 7 80 to 110°C	Solidification Point 7 100 to 130°C
For test at			
A Immersion, mm	76	76	76
Graduations:			
Subdivisions	0.1°C	0.1°C	0.1°C
Long lines at each	0.5°C	0.5°C	0.5°C
Numbers at each	1.0°C	1.0°C	1.0°C
Scale error, max	0.1°C	0.1°C	0.2°C
Special inscription	ASTM	ASTM	ASTM

TABLE 1 Continued

	93C-86 76 MM IMM	94C-86 76 MM IMM	95C-86 76 MM IMM
Expansion chamber: Permit heating to			
B Total length, mm	130°C	150°C	170°C
C Stem OD, mm	365 to 375	365 to 375	365 to 375
D Bulb length, mm	6.0 to 7.0	6.0 to 7.0	6.0 to 7.0
E Bulb OD, mm	18 to 28	18 to 28	18 to 28
	<5.0 and >stem	<5.0 and >stem	<5.0 and >stem
Scale location: Bottom of bulb to line at			
F Distance, mm	60°C	80°C	100°C
G Length of graduated portion, mm	116 to 130	116 to 130	116 to 130
	185 to 219 ^o	185 to 219 ^o	185 to 219 ^o
Ice-point scale: Range			
H Bottom of bulb to ice-point, mm			
Contraction chamber: Distance to bottom, min, mm			
I Distance to top, max, mm	41	41	41
Stem enlargement: OD, mm			
L Length, mm			
M Distance to bottom, mm			

^o Capillary clearances shall conform to Section 8.

	96C-86	97C-86	97F-86 ^{FF}	98C-86	98F-86 ^{FF}
ASTM No.					
IP No.					
Name	Solidification Point				
Reference Fig. No.	7				
Range	120 to 150°C	-18 to +49°C	0 to 120°F	16 to 82°C	60 to 180°F
For test at					
A Immersion, mm	76				
Graduations: Subdivisions					
Long lines at each	0.1°C	0.5°C	1°F	0.5°C	1°F
Numbers at each	0.5°C	1°C	5°F	1°C	5°F
Scale error, max	1.0°C	5°C	10°F	5°C	10°F
Special inscription	0.2°C	0.3°C	0.5°F	0.3°C	0.5°F
	ASTM			ASTM	
	96C-86			98C-86 or 98F-86	
	76 MM 1MM				
Expansion chamber: Permit heating to					
B Total length, mm	190°C	100°C	212°F	100°C	212°F
C Stem OD, mm	365 to 375				
D Bulb length, mm	6.0 to 7.0				
E Bulb OD, mm	18 to 28				
	<5.0 and >stem				
Scale location: Bottom of bulb to line at					
F Distance, mm	120°C	-18°C	0°F	16°C	60°F
G Length of graduated portion, mm	116 to 130				
	185 to 219 ^o				
Ice-point scale: Range					
H Bottom of bulb to ice-point, mm					
Contraction chamber: Distance to bottom, min, mm					
I Distance to top, max, mm	41				
Stem enlargement: OD, mm					
L Length, mm					

TABLE 1 Continued

		ASTM No.		99F-86 ^{FF}		100C-86		101C-86	
M	Distance to bottom, mm								
^C Capillary clearances shall conform to Section 8. ^{AA} Special finish, see 6.2.2. ^{CC} The stem shall be of the lens front type. The cross section of the stem shall be such that it will pass through a 8.0-mm ring gage but will not enter a 5.0-mm slot gage. A minor diameter of 4 mm is permissible provided that the major diameter is not less than 7 mm. ^{FF} For Fahrenheit thermometers, dimension G (length of graduated portion) shall be measured as the length of graduated portion corresponding to the nominal Celsius range.									
		99C-92	99F-86 ^{FF}	100C-86	101C-86				
IP No.	Name								
Reference Fig. No.									
Range									
For test at									
A	Immersion, mm								
Graduations:									
Subdivisions									
Long lines at each									
Numbers at each									
Scale error, max									
Special inscription									
Expansion chamber:									
Permit heating to									
B	Total length, mm								
C	Stem OD, mm								
D	Bulb length, mm								
E	Bulb OD, mm								
Scale location:									
Bottom of bulb to line at									
F	Distance, mm								
G	Length of graduated portion, mm								
Ice-point scale:									
Range									
H	Bottom of bulb to ice-point, mm								
Contraction chamber:									
Distance to bottom, min, mm									
Distance to top, max, mm									
J	Stem enlargement:								
K	OD, mm								
L	Length, mm								
M	Distance to bottom, mm								
^C Capillary clearances shall conform to Section 8. ^F A suitable mercury-thallium alloy shall be used as the actuating liquid. ^{AA} Special finish, see 6.2.2. ^{FF} For Fahrenheit thermometers, dimension G (length of graduated portion) shall be measured as the length of graduated portion corresponding to the nominal Celsius range. ^{GG} The immersion line shall be visible in the case opening after assembly. The immersion shall be measured from the bottom of the bulb rather than from the bottom of the armor. See 6.2.2. ^{HH} The stem shall be either the round or lens-front type.									
		99C-92	99F-86 ^{FF}	100C-86	101C-86				
IP No.	Name								
Reference Fig. No.									
Range									
For test at									
A	Immersion, mm								
Graduations:									
Subdivisions									
Long lines at each									
Numbers at each									
Scale error, max									
Special inscription									
Expansion chamber:									
Permit heating to									
B	Total length, mm								
C	Stem OD, mm								
D	Bulb length, mm								
E	Bulb OD, mm								
Scale location:									
Bottom of bulb to line at									
F	Distance, mm								
G	Length of graduated portion, mm								
Ice-point scale:									
Range									
H	Bottom of bulb to ice-point, mm								
Contraction chamber:									
Distance to bottom, min, mm									
Distance to top, max, mm									
J	Stem enlargement:								
K	OD, mm								
L	Length, mm								
M	Distance to bottom, mm								
^C Capillary clearances shall conform to Section 8. ^F A suitable mercury-thallium alloy shall be used as the actuating liquid. ^{AA} Special finish, see 6.2.2. ^{FF} For Fahrenheit thermometers, dimension G (length of graduated portion) shall be measured as the length of graduated portion corresponding to the nominal Celsius range. ^{GG} The immersion line shall be visible in the case opening after assembly. The immersion shall be measured from the bottom of the bulb rather than from the bottom of the armor. See 6.2.2. ^{HH} The stem shall be either the round or lens-front type.									
		99C-92	99F-86 ^{FF}	100C-86	101C-86				
IP No.	Name								
Reference Fig. No.									
Range									
For test at									
A	Immersion, mm								
Graduations:									
Subdivisions									
Long lines at each									
Numbers at each									
Scale error, max									
Special inscription									
Expansion chamber:									
Permit heating to									
B	Total length, mm								
C	Stem OD, mm								
D	Bulb length, mm								
E	Bulb OD, mm								
Scale location:									
Bottom of bulb to line at									
F	Distance, mm								
G	Length of graduated portion, mm								
Ice-point scale:									
Range									
H	Bottom of bulb to ice-point, mm								
Contraction chamber:									
Distance to bottom, min, mm									
Distance to top, max, mm									
J	Stem enlargement:								
K	OD, mm								
L	Length, mm								
M	Distance to bottom, mm								

TABLE 1 Continued

	ASTM No.	102C-86	103C-86	104C-86
A	Immersion, mm	100	100	100
	Graduations:			
	Subdivisions	0.2°C	0.2°C	0.2°C
	Long lines at each	1°C	1°C	1°C
	Numbers at each	2°C	2°C	2°C
	Scale error, max	0.3°C	0.4°C	0.4°C
	Special inscription	ASTM	ASTM	ASTM
		102C-86	103C-86	104C-86
		100 MM IMM	100 MM IMM	100 MM IMM
	Expansion chamber:			
	Permit heating to			
B	Total length, mm	200°C	225°C	250°C
C	Stem OD, mm	390 to 400	390 to 400	390 to 400
D	Bulb length, mm	6.0 to 8.0	6.0 to 8.0	6.0 to 8.0
E	Bulb OD, mm	15 to 20	15 to 20	15 to 20
	Scale location:	→stem	→stem	→stem
F	Bottom of bulb to line at	123°C	148°C	173°C
G	Distance, mm	125 to 145	125 to 145	125 to 145
	Length of graduated portion, mm	190 to 235 ^o	190 to 235 ^o	190 to 235 ^o
	Ice-point scale:			
	Range			
H	Bottom of bulb to ice-point, mm			
	Contraction chamber:			
I	Distance to bottom, min, mm			
J	Distance to top, max, mm			
	Stem enlargement:			
K	OD, mm	35 ^T	35 ^T	35 ^T
L	Length, mm			
M	Distance to bottom, mm			
	^o Capillary clearances shall conform to Section 8.			
	^T Mercury shall be near the bottom of the chamber at 0°C.			
	ASTM No.	105C-86	106C-86	107C-86
IP No.	Name	86C	87C	88C
Reference Fig. No.		7	7	7
Range	Solvents Distillation	198 to 252°C	223 to 277°C	248 to 302°C
For test at				
A	Immersion, mm	100	100	100
	Graduations:			
	Subdivisions	0.2°C	0.2°C	0.2°C
	Long lines at each	1°C	1°C	1°C
	Numbers at each	2°C	2°C	2°C
	Scale error, max	0.6°C	0.8°C	1.0°C
	Special inscription	ASTM	ASTM	ASTM
		105C-86	106C-86	107C-86
		100 MM IMM	100 MM IMM	100 MM IMM
	Expansion chamber:			
	Permit heating to			
B	Total length, mm	275°C	300°C	325°C
C	Stem OD, mm	390 to 400	390 to 400	390 to 400
D	Bulb length, mm	6.0 to 8.0	6.0 to 8.0	6.0 to 8.0
E	Bulb OD, mm	15 to 20	15 to 20	15 to 20
	Scale location:	→stem	→stem	→stem
F	Bottom of bulb to line at	198°C	223°C	248°C
G	Distance, mm	125 to 145	125 to 145	125 to 145
	Length of graduated portion, mm	190 to 235 ^o	190 to 235 ^o	190 to 235 ^o

TABLE 1 Continued

		108F-86 ^{FF}	109F-86 ^{FF}	110C-86	110F-86 ^{FF}
Ice-point scale:					
Range					
H Bottom of bulb to ice-point, mm					
Contraction chamber:					
J Distance to bottom, min, mm					
J Distance to top, max, mm	35 ^T		35 ^T		35 ^T
Stem enlargement:					
K OD, mm					
L Length, mm					
M Distance to bottom, mm					
^C Capillary clearances shall conform to Section 8.					
^T Mercury shall be near the bottom of the chamber at 0°C.					
	ASTM No.	108F-86 ^{FF}	109F-86 ^{FF}	110C-86	110F-86 ^{FF}
IP No.					
Name		Saybolt Viscosity	Saybolt Viscosity	93C	Kinematic Viscosity, ^M
Reference Fig. No.		8	8		6
Range		270 to 290°F	320 to 340°F	133.6 to 136.4°C	272.5 to 277.5°F
For test at		275°F ^G	325°F ^G	135°C	275°F
A Immersion, mm		total	total		total
Graduations:					
Subdivisions		0.5°F	0.5°F	0.05°C	0.1°F
Long lines at each		1°F	1°F	0.1 and 0.5°C	0.5 and 1°F
Numbers at each		5°F	5°F	1°C	1°F
Scale error; max		0.5°F	0.5°F	0.15°C	0.3°F
Special inscription		ASTM	ASTM		ASTM
		108F-86	109F-86		110C-86 or 110F-86
Expansion chamber:					
Permit heating to					
B Total length, mm		340°F	390°F	170°C	350°F
C Stem OD, mm		270 to 280	270 to 280		300 to 310
D Bulb length, mm		6.0 to 7.0	6.0 to 7.0		6.0 to 8.0
E Bulb OD, mm		25 to 35	25 to 35		45 to 55
Scale location:		<5.0 and >stem	<5.0 and >stem		>stem
Bottom of bulb to line at					
F Distance, mm		270°F	320°F	133.6°C	272.5°F
G Length of graduated portion, mm		135 to 150	135 to 150		160 to 180
Ice-point scale:		67 to 101 ^O	67 to 101 ^O		40 to 90 ^O
Range					
H Bottom of bulb to ice-point, mm					
Contraction chamber:					
I Distance to bottom, min, mm					
J Distance to top, max, mm					
Stem enlargement:					
K OD, mm		60 ^H	60 ^H		100
L Length, mm		8.0 to 10.0	8.0 to 10.0		125
M Distance to bottom, mm		4.0 to 7.0	4.0 to 7.0		
		112 to 116	112 to 116		
^G The test temperature shall be indicated by an arrow whether the graduation corresponding to that point is numbered or not.					
^H Long, narrow shape; mercury shall be in the chamber at 0°C (32°F).					
^M For kinematic viscosity thermometers, the ice-point reading shall be taken within 1 h after being at the test temperature for not less than 3 minutes. The ice-point reading shall be expressed to the nearest 0.01°C or 0.02°F and applied as explained in Test Method E77, Section 13.					
^O Capillary clearances shall conform to Section 8.					
^{FF} For Fahrenheit thermometers, dimension G (length of graduated portion) shall be measured as the length of graduated portion corresponding to the nominal Celsius range.					
	ASTM No.	111C-86	112C-86	113C-86	113F-86 ^{FF}
IP No.				89C	

TABLE 1 Continued

Name	Tar Acids Distillation	Solidification Point of Benzene	Softening Point (Bitumen) Wide Range
Reference Fig. No.	7	6	4
Range	170 to 250°C	4 to 6°C	30 to 350°F
For test at		5.4°C	
A Immersion, mm	100	total	total
Graduations:			
Subdivisions	0.2°C	0.02°C	0.5°C
Long lines at each	1°C	0.1°C	1°C
Numbers at each	2°C	0.2°C	5°C
Scale error, max	0.4°C to 225°C	0.04°C	0.5°C
Special inscription	0.6°C above 225°C	ASTM	ASTM
	ASTM	112C-86	113C-86 or 113F-86
	111C-86		
	100 MM IMM		
Expansion chamber:			
Permit heating to	275°C	50°C	225°C
B Total length, mm	390 to 400	210 to 220	400 to 410
C Stem OD, mm	6.0 to 7.0	6.0 to 7.5	6.0 to 8.0
D Bulb length, mm	10 to 15	25 to 35	10 to 15
E Bulb OD, mm	6.0 to 7.0	6.0 to >stem	4.5 to 5.5
Scale location:			
Bottom of bulb to line at	170°C	4°C	0°C
F Distance, mm	115 to 135	100 to 115	80 to 90
G Length of graduated portion, mm	200 to 245 °	45 to 75 °	250 to 290 °
Ice-point scale:			
Range		-0.2 to +0.2°C °	32°F
Bottom of bulb to ice-point, mm		60 to 70	
H Contraction chamber:			
Distance to bottom, min, mm	35	80	
J Distance to top, max, mm		90//	
Stem enlargement:			
OD, mm			
L Length, mm			
M Distance to bottom, mm			
// Contraction chamber to be long narrow type.			
° Capillary clearances shall conform to Section 8.			
°° For Fahrenheit thermometers, dimension G (length of graduated portion) shall be measured as the length of graduated portion corresponding to the nominal Celsius range.			
IP No.	14C	114C-86	115C-86
Name	Aviation Fuel Freezing Point ^B	See Table 5	Bomb Calorimeter
Reference Fig. No.	4		9 and 14
Range	-80 to +20°C		18.9 to 25.1°C
For test at			
A Immersion, mm	total	total	total
Graduations:			
Subdivisions	0.5°C	0.01°C	0.01°C
Long lines at each	1°C	0.05°C	0.05°C
Numbers at each	5°C	0.1°C	0.1°C
Scale error, max	1°C	0.1°C ^J	0.1°C ^J
Special inscription	ASTM	ASTM	ASTM
	114C-86	116C-86	117C-86
Expansion chamber:			
Permit heating to	45°C	60°C	60°C
B Total length, mm	295 to 305	604 to 614	604 to 614
C Stem OD, mm	6.0 to 8.0	7.0 to 8.2	7.0 to 8.2
D Bulb length, mm	8 to 16	^{KK}	^{KK}
E Bulb OD, mm	>stem	7.0 to 8.2 ^{BB}	7.0 to 8.2 ^{BB}
Scale location:			

TABLE 1 Continued

		118C-86	118F-86°F	119C-86	119F-86°F	120C-86
		ASTM No.	ASTM No.	ASTM No.	ASTM No.	ASTM No.
F	Bottom of bulb to line at Distance, mm	-80°C 50 to 70			19°C 220 to 240	24°C 220 to 240
G	Length of graduated portion, mm	170 to 210 ^o			300 to 350 ^o	300 to 350 ^o
Ice-point scale:						
Range						
H	Bottom of bulb to ice-point, mm				110	110
Contraction chamber:						
I	Distance to bottom, min, mm					
J	Distance to top, max, mm					
Stem enlargement:						
K	OD, mm					
L	Length, mm					
M	Distance to bottom, mm					
^B Toluene or other suitable liquid colored red with a permanent dye shall be used as the actuating liquid. ^o Capillary clearances shall conform to Section 8. ^{BB} The bulb diameter shall not be more than 0.5 mm greater than the stem. ^{JJ} Over any interval of 1°C the change in correction shall not exceed 0.01°C. The correction at the lowest temperature of the nominal range shall not change by more than 0.02°C immediately after the thermometer has been heated for 15 min at a temperature 30°C higher, and allowed to cool naturally in air. ^{KK} The capillary bore shall be large enough in relation to the bulb to ensure that (without tapping) jumping of the meniscus does not exceed one half of the smallest scale division, when the temperature is rising at a uniform rate not exceeding 0.05°C/min.						
		118C-86	118F-86°F	119C-86	119F-86°F	120C-86
		ASTM No.	ASTM No.	ASTM No.	ASTM No.	ASTM No.
Reference Fig. No.						
Range						
For test at						
A	Immersion, mm	28.6 to 31.4°C 30°C	83.5 to 88.5°F 86°F	-38.3 to -30°C	-37 to -22°F	38.6 to 41.4°C 40°C total
Graduations:						
Subdivisions		0.05°C	0.1°F	0.1°C	0.2°F	0.05°C
Long lines at each		0.1 and 0.5°C	0.5 and 1°F	0.5°C	1°F	0.1 and 0.5°C
Numbers at each		1°C	1°F	1°C	2°F	1°C
Scale error, max		0.1°C	0.2°F	0.2°C	0.4°F	0.1°C
Special inscription						ASTM 120C-86
Expansion chamber:						
Permit heating to						
B	Total length, mm	105°C	220°F	50°C	122°F	105°C
C	Stem OD, mm					300 to 310
D	Bulb length, mm					6.0 to 8.0
E	Bulb OD, mm					45 to 55
Scale location:						>stem
Bottom of bulb to line at						
F	Distance, mm	28.6°C	83.5°F	-38.3°C	-37°F	38.6°C
G	Length of graduated portion, mm					145 to 165 40 to 90 ^o
Ice-point scale:						
Range		-0.3 to +0.3°C ^o	31.5 to 32.5°F ^o	-0.5 to +0.5°C ^o	31 to 33°F ^o	-0.3 to +0.3°C ^o
H	Bottom of bulb to ice-point, mm					
Contraction chamber:						
I	Distance to bottom, min, mm					100
J	Distance to top, max, mm					125
Stem enlargement:						
K	OD, mm					
L	Length, mm					
M	Distance to bottom, mm					

TABLE 1 Continued

^M For kinematic viscosity thermometers, the ice-point reading shall be taken within 1 h after being at the test temperature for not less than 3 minutes. The ice-point reading shall be expressed to the nearest 0.01°C or 0.02°F and applied as explained in Test Method E77, Section 13.

^O Capillary clearances shall conform to Section 8.

^{FF} For Fahrenheit thermometers, dimension G (length of graduated portion) shall be measured as the length of graduated portion corresponding to the nominal Celsius range.

^{II} The thermometer is to be calibrated for 100-mm immersion for the main scale, the ice point is to be calibrated for total immersion.

	ASTM No.	121C-86	122C-86	123C-86
IP No.		32C	94C	95C
Name		Kinematic Viscosity ^M	Brookfield Viscosity ^{II}	Brookfield Viscosity
Ref. Fig. No.		6	4	4
Range		98.6 to 101.4°C 98.9 and 100°C	-45 to -35°C	-35 to -25°C
For Test at		total	total	total
A Immersion, mm				
Graduations:				
Subdivisions		0.05°C	0.1°C	0.1°C
Long Lines at each		0.1 and 0.5°C	0.5°C	0.5°C
Numbers at each		1°C	1°C	1°C
Scale error, max		0.1°C	0.4°C	0.4°C
Special inscription		ASTM	ASTM	ASTM
		121C-86	122C-86 MERC-THAL	123C-86
Expansion chamber:				
Permit heating to				
B Total length, mm		130°C	80°C	80°C
C Stem OD, mm		300 to 310	295 to 305	295 to 305
D Bulb length, mm		6.0 to 8.0	5.5 to 8.0	5.5 to 8.0
E Bulb OD, mm		45 to 55	30 to 40	30 to 40
Scale location:		>stem	>stem	>stem
Bottom of bulb to line at				
F Distance, mm		98.6°C	-45°C	-35°C
G Length of graduated portion, mm		145 to 165	100 to 120	100 to 120
Ice-point scale:		40 to 90 ^O	115 to 165 ^O	115 to 165 ^O
Range		-0.3 to +0.3°C ^O		
H Bottom of bulb to ice-point, mm				
Contraction chamber:				
I Distance to bottom, min, mm		100		
J Distance to top, max, mm		125		
Stem enlargement:				
K OD, mm				
L Length, mm				
M Distance to bottom, mm				

^M For kinematic viscosity thermometers, the ice-point reading shall be taken within 1 h after being at the test temperature for not less than 3 minutes. The ice-point reading shall be expressed to the nearest 0.01°C or 0.02°F and applied as explained in Test Method E77, Section 13.

^O Capillary clearances shall conform to Section 8.

^{FF} A suitable mercury-thallium alloy shall be used as the actuating liquid.

	ASTM No.	124C-86	125C-86	126C-86	126F-86 ^{FF}
IP No.		96C	97C	71C	
Name		Brookfield Viscosity	Brookfield Viscosity	Brookfield Viscosity ^M	Kinematic Viscosity ^M
Reference Fig. No.		4	4	4	10
Range		-25 to -15°C	-15 to -5°C	-27.4 to -24.6°C	-17.5 to -12.5°F
For test at		total	total	-26.1°C	-15°F
A Immersion, mm					total
Graduations:					
Subdivisions		0.1°C	0.1°C	0.05°C	0.1°F
Long lines at each		0.5°C	0.5°C	0.1 and 0.5°C	0.5 and 1°F
Numbers at each		1°C	1°C	1°C	1°F
Scale error, max		0.2°C	0.2°C	0.1°C	0.2°F

TABLE 1 Continued

	ASTM 124C-86	ASTM 125C-86	ASTM 126C-86 or 126F-86
Special inscription			
Expansion chamber:			
Permit heating to			
B Total length, mm	80°C	80°C	105°C
C Stem OD, mm	295 to 305	295 to 305	300 to 310
D Bulb length, mm	5.5 to 8.0	5.5 to 8.0	6.0 to 8.0
E Bulb OD, mm	30 to 40	30 to 40	45 to 55
>stem	>stem	>stem	>stem
Scale location:			
Bottom of bulb to line at	-25°C	-15°C	-17.5°F
F Distance, mm	100 to 120	100 to 120	80 to 110
G Length of graduated portion, mm	115 to 165 ^o	115 to 165 ^o	40 to 90 ^o
Ice-point scale:			
Range			31.5 to 32.5°F ^o
H Bottom of bulb to ice-point, mm			
Contraction chamber:			
Distance to bottom, min, mm			180
J Distance to top, max, mm			205
K OD, mm			
L Length, mm			
M Distance to bottom, mm			

	ASTM 127C-86	ASTM 128C-86	ASTM 128F-86 ^{FF}	ASTM 129C-86	ASTM 129F-86 ^{FF}
IP No.	99C	33C	36C		
Name	Kinematic Viscosity ^M	Kinematic Viscosity ^M	Kinematic Viscosity ^M	Kinematic Viscosity ^M	Kinematic Viscosity ^M
Ref. Fig. No.	10	4	6		
Range	-21.4 to -18.6°C	-1.4 to +1.4°C	91.6 to 94.4°C	197.5 to 202.5°F	200°F
For Test at	-20°C	0°C	93.3°C		
A Immersion, mm	total	total	total	total	total
Graduations:					
Subdivisions	0.05°C	0.05°C	0.05°C	0.1°F	0.1°F
Long Lines at each	0.1 and 0.5°C	0.1 and 0.5°C	0.1 and 0.5°C	0.5 and 1°F	0.5 and 1°F
Numbers at each	1°C	1°C	1°C	1°F	1°F
Scale error, max	0.1°C	0.1°C	0.1°C	0.2°F	0.2°F
Special inscription	ASTM 127C-86	ASTM 128C-86 or 128F-86	ASTM 129C-86 or 129F-86	ASTM 129C-86 or 129F-86	ASTM 129C-86 or 129F-86
Expansion chamber:					
Permit heating to					
B Total length, mm	105°C	105°C	120°C	250°F	
C Stem OD, mm	300 to 310	300 to 310	300 to 310	300 to 310	
D Bulb length, mm	6.0 to 8.0	6.0 to 8.0	6.0 to 8.0	6.0 to 8.0	
E Bulb OD, mm	45 to 55	45 to 55	45 to 55	45 to 55	
>stem	>stem	>stem	>stem	>stem	
Scale location:					
Bottom of bulb to line at	-21.4°C	-1.4°C	91.6°C	197.5°F	
F Distance, mm	80 to 110	80 to 110	145 to 165	145 to 165	
G Length of graduated portion, mm	40 to 90 ^o	40 to 90 ^o	40 to 90 ^o	40 to 90 ^o	
Ice-point scale:					
Range	-0.3 to +0.3°C ^o	-0.3 to +0.3°C ^o	-0.3 to +0.3°C ^o	-0.3 to +0.3°C ^o	31.5 to 32.5°F ^o
H Bottom of bulb to ice-point, mm					
Contraction chamber:					
Distance to bottom, min, mm	180	180	145 to 165	145 to 165	100
J Distance to top, max, mm	205	205	40 to 90 ^o	40 to 90 ^o	125
Stem enlargement:					

^M For kinematic viscosity thermometers, the ice-point reading shall be taken within 1 h after being at the test temperature for not less than 3 minutes. The ice-point reading shall be expressed to the nearest 0.01°C or 0.02°F and applied as explained in Test Method E77, Section 13.

^o Capillary clearances shall conform to Section 8.

^{FF} For Fahrenheit thermometers, dimension G (length of graduated portion) shall be measured as the length of graduated portion corresponding to the nominal Celsius range.

TABLE 1 Continued

ASTM No.	130C-90	130F-90 ^{FF}	132C-95	133C-01	134C-03
K OD, mm			102C		37C
L Length, mm			Kinematic Viscosity ^M		Sludge
M Distance to bottom, mm			6	Precision	3
^M For kinematic viscosity thermometers, the ice-point reading shall be taken within 1 h after being at the test temperature for not less than 3 minutes. The ice-point reading shall be expressed to the nearest 0.01°C or 0.02°F and applied as explained in Test Method E77, Section 13.			148.6 to 151.4°C	3	144 to 156°C
^O Capillary clearance shall conform to Section 8.		20 to 220°F	150°C total	-38 to +2°C	150°C
^{FF} For Fahrenheit thermometers, dimension G (length of graduated portion) shall be measured as the length of graduated portion corresponding to the nominal Celsius range.				76	100
A Immersion, mm					
Graduations:					
Subdivisions	0.5°C	1°F	0.05°C	0.1°C	0.2°C
Long Lines at each	1°C	5°F	0.1 and 0.5°C	0.5°C	1°C
Numbers at each	5°C	10°F	1°C	1°C	2°C
Scale error, max	0.5°C	1°F	0.20°C	0.1°C	0.2°C
Special inscription			ASTM	ASTM	ASTM
Expansion chamber:			132C-95	133C-01	134C-03
Permit heating to				76 MM IMM	100 MM IMM
B Total length, mm	125°C	257°F	185°C		required
C Stem OD, mm			300 to 310	55°C	260 to 280
D Bulb length, mm			6.0 to 8.0	7.0 to 8.0	5.0 to 8.0
E Bulb OD, mm			45 to 55	25 to 35	10 to 25
Scale location:			>stem	>stem	>stem
Bottom of bulb to line at					
F Distance, mm	0°C	32°F	148.6°C	-38°C	150°C
G Length of graduated portion, mm			160 to 180	115 to 135	170 to 210
Ice-point scale:			40 to 90°C ^O	190 to 230 ^O	50 to 80 ^O
Range			-0.3 to +0.6°C ^O		
H Bottom of bulb to ice-point, mm					required
Contraction chamber:					
I Distance to bottom, min, mm			100		
J Distance to top, max, mm			125		
Stem enlargement:					
K OD, mm					
L Length, mm					
M Distance to bottom, mm					
^{AA} Special finish, see 6.2.2.					
^{CC} The stem shall be of the lens front type. The cross section of the stem shall be such that it will pass through a 8.0-mm ring gage but will not enter a 5.0-mm slot gage. A minor diameter of 4-mm is permissible provided that the major diameter is not less than 7 mm.					
^O Capillary clearances shall conform to Section 8.					
^{FF} For Fahrenheit thermometers, dimension G (length of graduated portion) shall be measured as the length of graduated portion corresponding to the nominal Celsius range.					

ASTM No.	135C-03	135F-03 ^{FF}	136C-03	136F-03 ^{FF}	137C-03
IP No.					
Name					
Ref. Fig. No.					
Range					
For Test at					
A Immersion, mm					
Graduations:					

TABLE 1 *Continued*

Subdivisions	1°C	1°F	0.2°C	0.5°F	0.1°C
Long Lines at each	5°C	5°F	1°C	1°F	0.5°C
Numbers at each	10°C	10°F	2°C	5°F	2°C
Scale error, max	1°C	2°F	0.15°C	0.25°F	0.1°C
Special inscription		ASTM 135C-03 or 135F-03 40 MM IMM		ASTM 136C-03 or 136F-03	ASTM 137C-03 76 MM IMM
Expansion chamber:					
Permit heating to	125°C	250°F	110°C	230°F	130°C
B Total length, mm		168 to 174		285 to 295	250 to 260
C Stem OD, mm		6.0 to 7.0		6.0 to 8.0	oo
D Bulb length, mm		6 to 11		15 to 20	18 to 28
E Bulb OD, mm		5.0 to 6.5		bulb size > stem size	≥6.0 and ≤stem
Scale location:					
F Bottom of bulb to line at					
G Distance, mm	38°C	100°F	-20°C	-4°F	80°C
Length of graduated portion, mm		71 to 78		35 to 50	90 to 100
Ice-point scale:		64 to 81 ^o		200 to 230 ^o	115 to 125
Range					
H Bottom of bulb to ice-point, mm					
Contraction chamber:					
I Distance to bottom, min, mm					
J Distance to top, max, mm					
Stem enlargement:					
K OD, mm		8.0 to 9.0			
L Length, mm		38 to 42			
M Distance to bottom, mm					

^{FF} For Fahrenheit thermometers, dimension G (length of graduated portion) shall be measured as the length of graduated portion corresponding to the nominal Celsius range.

^G The test temperature shall be indicated by an arrow whether the graduation corresponding to that point is numbered or not.

^{EE} Immersion line shall be omitted.

^{oo} The stem shall be of the lens front type. The cross section of the stem shall be such that it will pass through a 7.0 mm ring gage.

^o Capillary clearances shall conform to Section 8.

TABLE 2 Alphabetical List of ASTM Thermometers Covered by Specification E1

NOTE 1—The specifications appear in numeric sequence in this standard.

Thermometer Name	Thermometer No.		Thermometer Name	Thermometer No.	
	°C	°F		°C	°F
Aviation fuel density	136C	136F	
Aviation fuel freezing point	114C	...		3C	3F
Bomb calorimeter	56C	56F	Petrolatum melting point	61C	61F
	116C	...	Precision	62C	62F
	117C	...		63C	63F
Brookfield Viscosity	122C	...		64C	64F
	123C	...		65C	65F
	124C	...		66C	66F
	125C	...		67C	67F
Butadiene boiling point range	52C	...		68C	68F
Cleveland open flash	11C	11F		69C	69F
Cloud and pour	5C	5F		70C	70F
		133C	...
Cloud and pour, low	6C	6F	Reid vapor pressure	18C	18F
Congealing point	54C	54F	Saybolt viscosity	17C	17F
Coolant (antifreeze) freezing point	...	75F		18C	18F
	...	76F		19C	19F
	119C	119F		20C	20F
Density wide range	12C	12F		21C	21F
Enclosed scale	115C	...		22C	22F
Engler viscosity	23C	77F
	24C	78F
	25C	79F
Fuel rating	82C	82F		...	80F
	83C	83F		...	81F
	84C	84F		...	108F
	85C	85F		...	109F
	Sludge	134C	...
	86C	86F	Softening point (bitumen) wide-range	113C	113F
	87C	87F	Solidification point	89C	...
	135C	135F	
Gas calorimeter, inlet	...	50F		90C	...
Gas calorimeter, outlet	...	51F		91C	...
General purpose—see partial immersion; precision				92C	...
Gravity	12C	12F		93C	...
High aniline point	35C	35F		94C	...
High distillation	8C	8F		95C	...
High Pensky Martens	10C	10F		96C	...
High softening point	16C	16F		100C	...
Kinematic viscosity	28C	28F		101C	...
	29C	29F	Solidification point of benzene	112C	...
	...	30F	Solvents distillation	37C	...
	43C	43F		38C	...
	44C	44F		39C	...
	45C	45F		40C	...
	46C	46F		41C	...
	47C	47F		42C	...
	48C	48F		102C	...
	72C	72F		103C	...
	73C	73F		104C	...
	74C	74F		105C	...
	110C	110F		106C	...
	118C	118F		107C	...
	120C	...	Stability test of soluble nitrocellulose	26C	...
	121C	...	Stormer viscosity	49C	...
	126C	126F	Tag closed tester, low range	57C	57F
	127C	...	Tag closed tester, high range	9C	9F
	128C	128F	Tank	58C	58F
	129C	129F		59C	59F
	132C	...		60C	60F
Loss on heat	13C	...		97C	97F
Low aniline point	33C	33F		98C	98F
Low cloud and pour	6C	6F		130C	130F
Low distillation	7C	7F		111C	...
Low Pensky Martens	9C	9F	Tar acids distillation	36C	...
Low softening point	15C	15F	Titer test	27C	...
Medium aniline point	34C	34F	Turpentine distillation	88C	88F
Oil in wax	71C	71F	Vegetable oil flash
Oxidation cell test	137C
Oxidation stability	22C	22F	Wax melting point	14C	14F
Partial immersion (general use)	1C	1F	Weathering test	99C	99F
	2C	2F			

TABLE 3 List of ASTM Thermometers by Temperature Range

Celsius (Centigrade) Range	Immersion, mm	Scale Error, max	ASTM Thermometer Number	Fahrenheit Range	Immersion, mm	Scale Error, max	ASTM Thermometer Number
Graduated in 0.01°C				Graduated in 0.05°F			
18.9 to 25.1°C	total	0.1	116C
23.9 to 30.1°C	total	0.1	117C
Graduated in 0.02°C				Graduated in 0.05°F			
4 to 6°C	total	0.04	112C
19 to 35°C	total	0.10	56C	66 to 95°F	total	0.20	56F
Graduated in 0.05°C				Graduated in 0.1°F			
-55.4 to -52.6°C	total	0.1	74C	-67.5 to -62.5°F	total	0.2	74F
-41.4 to -38.6°C	total	0.1	73C	-42.5 to -37.5°F	total	0.2	73F
-27.4 to -24.6°C	total	0.1	126C	-17.5 to -12.5°F	total	0.2	126F
-21.4 to -18.6°C	total	0.1	127C
-19.4 to -16.6°C	total	0.1	72C	-2.5 to +2.5°F	total	0.2	72F
-1.4 to +1.4°C	total	0.1	128C	29.5 to 34.5°F	total	0.2	128F
...	54 to 101°F	total	0.2	50F
18.6 to 21.4°C	total	0.1	44C	66.5 to 71.5°F	total	0.2	44F
...	69 to 116°F	total	0.2	51F
23.6 to 26.4°C	total	0.1	45C	74.5 to 79.5°F	total	0.2	45F
28.6 to 31.4°C	total	0.1	118C	83.5 to 88.5°F	total	0.2	118F
36.6 to 39.4°C	total	0.1	28C	97.5 to 102.5°F	total	0.2	28F
38.5 to 41.5°C	total	0.1	120C
48.6 to 51.4°C	total	0.1	46C	119.5 to 124.5°F	total	0.2	46F
52.6 to 55.4°C	total	0.1	29C	127.5 to 132.5°F	total	0.2	29F
58.6 to 61.4°C	total	0.1	47C	137.5 to 142.5°F	total	0.2	47F
80.6 to 83.4°C	total	0.1	48C	177.5 to 182.5°F	total	0.2	48F
91.6 to 94.4°C	total	0.1	129C	197.5 to 202.5°F	total	0.2	129F
...	207.5 to 212.5°F	total	0.2	30F
98.6 to 101.4°C	total	0.1	121C
133.6 to 136.4°C	total	0.15	110C	272.5 to 277.5°F	total	0.3	110F
148.6 to 151.4°C	total	0.20	132C
Graduated in 0.1°C				Graduated in 0.2°F			
-51.6 to -34°C	total	0.1	43C	-61 to -29°F	total	0.2	43F
-45 to -35°C	total	0.4	122C
-38.3 to -30°C	100	0.2	119C	-37 to -22°F	100	0.4	119F
-38 to +2°C	total	0.1	62C	-36 to +35°F	total	0.2	62F
-38 to +2°C	76 mm	0.1	133C
-35 to -25°C	total	0.4	123C
-25 to -15°C	total	0.2	124C
-15 to -5°C	total	0.2	125C
-20 to +10°C	76	0.1	89C
-10 to +5°C	total	0.1	52C
-8 to +32°C	total	0.1	63C	18 to 89°F	total	0.2	63F
0 to 30°C	76	0.1	90C
19 to 27°C	total	0.1	17C	66 to 80°F	total	0.2	17F
20 to 50°C	76	0.1	91C
25 to 55°C	total	0.1	64C	77 to 131°F	total	0.2	64F
34 to 42°C	total	0.1	18C	94 to 108°F	total	0.2	18F
38 to 82°C	79	0.1	14C	100 to 180°F	79	0.2	14F
40 to 70°C	76	0.1	92C
49 to 57°C	total	0.1	19C	120 to 134°F	total	0.2	19F
50 to 80°C	total	0.1	65C	122 to 176°F	total	0.2	65F
57 to 65°C	total	0.1	20C	134 to 148°F	total	0.2	20F
60 to 90°C	76	0.1	93C
75 to 105°C	total	0.1	66C	167 to 221°F	total	0.2	66F
79 to 87°C	total	0.1	21C	174 to 188°F	total	0.2	21F
80 to 100°C	76	0.1	137C
80 to 110°C	76	0.1	94C
95 to 103°C	total	0.1	22C	204 to 218°F	total	0.2	22F
100 to 130°C	76	0.2	95C
120 to 150°C	76	0.2	96C
130 to 140°C	total	0.2	26C
Graduated in 0.2°C				Graduated in 0.5°F			
...	-65 to +5°F	100	1	76F
-50 to +5°C	35	0.2	99C	-55 to +40°F	35	0.4	99F
-38 to +42°C	50	0.2	33C	-36.5 to +107.5°F	50	0.5	33F
...	-35 to +35°F	100	0.5	75F
-20 to +60°C	total	0.15	136C	-5 to +140°F	total	0.25	136F
-20 to +102°C	total	0.15	12C	-5 to +215°F	total	0.25	12F
-2 to +52°C	100	0.2	37C
-2 to +68°C	45	0.2	36C
-2 to +80°C	total	0.2	15C	30 to 180°F	total	0.4	15F
18 to 28°C	90	0.1	23C
20 to 70°C	65	0.2	49C
20 to 100.6°C	total	0.2	54C	68 to 213°F	total	0.5	54F

TABLE 3 *Continued*

Celsius (Centigrade) Range	Immersion, mm	Scale Error, max	ASTM Thermometer Number	Fahrenheit Range	Immersion, mm	Scale Error, max	ASTM Thermometer Number
24 to 78°C	100	0.2	38C
25 to 105°C	50	0.2	34C	77 to 221°F	50	0.5	34F
32 to 127°C	79	0.2	61C	90 to 260°F	79	0.5	61F
39 to 54°C	90	0.1	24C
48 to 102°C	100	0.2	39C
72 to 126°C	100	0.2	40C
90 to 170°C	50	0.4	35C	194 to 338°F	50	1	35F
95 to 105°C	90	0.1	25C
98 to 152°C	100	0.3	41C
95 to 155°C	total	0.2	67C	203 to 311°F	total	0.5	67F
...	245 to 265°F	total	0.5	77F
123 to 177°C	100	0.3	102C
...	270 to 290°F	total	0.5	108F
144 to 156°C	100	0.2	134C	295 to 315°F	total	0.5	78F
145 to 205°C	total	0.2	68C	293 to 401°F	total	0.5	68F
145 to 205°C	76	0.4	100C
148 to 202°C	100	0.4	103C
...	320 to 340°F	total	0.5	109F
170 to 250°C	100	^A	111C
173 to 227°C	100	0.4	104C
...	345 to 365°F	total	0.5	79F
198 to 252°C	100	0.6	105C
...	395 to 415°F	total	0.5	80F
...	445 to 465°F	total	0.5	81F
223 to 277°C	100	0.8	106C
248 to 302°C	100	1	107C
Graduated in 0.5°C				Graduated in 1°F			
-80 to +20°C	total	1	114C
-37 to +21°C	76	0.2	71C	-35 to +70°F	76	0.5	71F
-34 to +49°C	total	0.5	58C	-30 to +120°F	total	0.5	58F
-20 to +50°C	57	0.5	57C	-4 to +122°F	57	1	57F
-18 to +49°C	total	0.5	97C	0 to 120°F	total	0.5	97F
-18 to +82°C	total	0.5	59C	0 to 180°F	total	0.5	59F
-7 to +105°C	total	0.5	130C	20 to 220°F	total	1	130F
-5 to +110°C	57	0.5	9C	20 to 230°F	57	1	9F
-1 to +175°C	total	0.5	113C	30 to 350°F	total	1	113F
...	60 to 160°F	40	2	83F
16 to 82°C	total	0.5	98C	60 to 180°F	total	0.5	98F
...	75 to 175°F	249	2	84F
30 to 200°C	total	0.3	16C	85 to 392°F	total	0.5	16F
95 to 255°C	100	1	42C	100 to 200°F	40	2	135F
147 to 182°C	76	0.5	27C
155 to 170°C	total	0.5	13C
...	300 to 400°F	40	2	87F
195 to 305°C	total	0.5	69C	383 to 581°F	total	1	69F
195 to 305°C	76	1	101C
295 to 405°C	total	0.5	70C	563 to 761°F	total	1	70F
Graduated in 1°C				Graduated in 2°F			
-80 to +20°C	76	^B	6C	-112 to +70°F	76	^C	6F
-38 to +50°C	108	0.5	5C	-36 to +120°F	108	1	5F
-15 to +105°C	30	1	82C	0 to 220°F	30	2	82F
-20 to +150°C	76	0.5	1C	0 to 302°F	76	1	1F
-5 to +300°C	76	1	2C	20 to 580°F	76	2	2F
-5 to +400°C	76	^D	3C	20 to 760°F	76	^E	3F
-2 to +300°C	total	^F	7C	30 to 580°F	total	^G	7F
-2 to +400°C	total	^H	8C	30 to 760°F	total	^I	8F
10 to 200°C	57	1	88C	50 to 392°F	57	2	88F
15 to 70°C	40	1	83C
25 to 80°C	249	1	84C
38 to 93°C	40	1	135C
40 to 150°C	181	1	85C	100 to 300°F	181	2	85F
77 to 260°C	total	1	60C	170 to 500°F	total	1	60F
95 to 175°C	35	1	86C	200 to 350°F	35	2	86F
150 to 205°C	40	1	87C
Graduated in 2°C				Graduated in 5°F			
-6 to +400°C	25	^J	11C	20 to 760°F	25	^K	11F
90 to 370°C	57	^L	10C	200 to 700°F	57	^M	10F

^A 0.4°C to 225°C; 0.6°C above 225°C.

^B 1°C to - 33°C; 2°C below - 33°C.

^C 2°F to - 28°F; 4°F below - 28°F.

^D 1°C to 301°C; 1.5°C above 301°C.

^E 2°F to 574°F; 3°F above 574°F.

^F 0.5°C to 150°C; 1°C above 150°C.

- ^G 1°F to 300°F; 2°F above 300°F.
^H 1°C to 300°C; 1.5°C above 300°C.
^I 2°F to 570°F; 3°F above 570°F.
^J 2°C to 260°C; 4°C above 260°C.
^K 5°F to 500°F; 7°F above 500°F.
^L 1°C to 260°C; 2°C above 260°C.
^M 2.5°F to 500°F; 3.5°F above 500°F.

TABLE 4 Verification and Calibration Temperatures^A

Temperature	Av Temp. of Emergent Mercury Column	Temperature	Av Temp. of Emergent Mercury Column	Temperature	Av Temp. of Emergent Mercury Column	Temperature	Av Temp. of Emergent Mercury Column
Thermometer 1C -20 to +150°C		Thermometer 1F 0 to 302°F		Thermometer 2C -5 to +300°C		Thermometer 2F -20 to +580°F	
-20°C	15°C	0°F	60°F	0°C	22°C	32°F	72°F
0°C	22°C	32°F	72°F	75°C	34°C	150°F	90°F
50°C	30°C	122°F	86°F	150°C	35°C	300°F	95°F
100°C	33°C	212°F	91°F	225°C	40°C	450°F	105°F
150°C	36°C	302°F	97°F	300°C	45°C	580°F	114°F
Thermometer 3C -5 to +400°C		Thermometer 3F 20 to 760°F		Thermometer 5C -38 to +50°C		Thermometer 5F -36 to +120°F	
0°C	21°C	32°F	70°F	-35°C	21°C	-30°F	70°F
100°C	33°C	200°F	90°F	0°C	21°C	32°F	70°F
200°C	39°C	370°F	101°F	50°C	21°C	120°F	70°F
300°C	44°C	540°F	110°F				
370°C	54°C	700°F	129°F				
Thermometer 6C -80 to +20°C		Thermometer 6F -112 to +70°F		Thermometer 7C -2 to +300°C		Thermometer 7F 30 to 580°F	
-70°C	21°C	-94°F	70°F	0°C		32°F	
-35°C	21°C	-30°F	70°F	50°C		100°F	
0°C ^B	21°C	32°F ^B	70°F	100°C		200°F	
20°C	21°C	70°F	70°F	150°C		300°F	
				200°C		400°F	
				250°C		500°F	
				300°C		570°F	
Thermometer 8C -2 to +400°C		Thermometer 8F 30 to 760°F		Thermometer 9C -5 to +110°C		Thermometer 9F 20 to 230°F	
0°C		32°F		0°C	19°C	32°F	66°F
100°C		200°F		35°C	28°C	100°F	86°F
200°C		370°F		70°C	40°C	160°F	106°F
300°C		540°F		105°C	50°C	220°F	123°F
370°C		700°F					
Thermometer 10C 90 to 370°C		Thermometer 10F 200 to 700°F		Thermometer 11C -6 to +400°C		Thermometer 11F 20 to 760°F	
100°C	61°C	212°F	141°F	0°C	18°C	32°F	64°F
200°C	71°C	390°F	159°F	100°C	44°C	200°F	110°F
300°C	87°C	570°F	189°F	200°C	64°C	370°F	144°F
370°C	104°C	700°F	220°F	300°C	91°C	540°F	187°F
				370°C	115°C	700°F	240°F
Thermometer 12C -20 to +102°C		Thermometer 12F -5 to +215°F		Thermometer 13C 155 to 170°C		Thermometer 14C 38 to 82°C	
-20°C		-5°F		155°C		40°C	25°C
-10°C		15°F		163°C		50°C	25°C
0°C		32°F		170°C		60°C	25°C
10°C		60°F				70°C	25°C
20°C		85°F				80°C	25°C
30°C		110°F					
40°C		135°F					
50°C		160°F					
60°C		185°F					
70°C		210°F					
80°C							
90°C							
100°C							
Thermometer 14F 100 to 180°F		Thermometer 15C -2 to +80°C		Thermometer 15F 30 to 180°F		Thermometer 16C 30 to 200°C	
100°F	77°F	0°C		32°F		30°C	
120°F	77°F	20°C		70°F		60°C	
140°F	77°F	40°C		100°F		90°C	
160°F	77°F	60°C		140°F		120°C	
180°F	77°F	80°C		180°F		150°C	
						180°C	
						200°C	
Thermometer 16F 85 to 392°F		Thermometer 17C 19 to 27°C		Thermometer 17F 66 to 80°F		Thermometer 18C 34 to 42°C	

TABLE 4 *Continued*

Temperature	Av Temp. of Emergent Mercury Column	Temperature	Av Temp. of Emergent Mercury Column	Temperature	Av Temp. of Emergent Mercury Column	Temperature	Av Temp. of Emergent Mercury Column
90°F		21°C		70°F		38°C	
140°F		25°C		77°F		41°C	
190°F							
240°F							
290°F							
340°F							
390°F							
Thermometer 18F 94 to 108°F		Thermometer 19C 49 to 57°C		Thermometer 19F 120 to 134°F		Thermometer 20C 57 to 65°C	
100°F		50°C		122°F		60°C	
107°F		54°C		130°F		64°C	
Thermometer 20F 134 to 148°F		Thermometer 21C 79 to 87°C		Thermometer 21F 174 to 188°F		Thermometer 22C 95 to 103°C	
140°F		82°C		180°F		99°C	
147°F		86°C		187°F		102°C	
Thermometer 22F 204 to 218°F		Thermometer 23C 18 to 28°C		Thermometer 24C 39 to 54°C		Thermometer 25C 95 to 105°C	
210°F		20°C	22°C	40°C	35°C	95°C	75°C
212°F		25°C	25°C	50°C	42°C	100°C	64°C
Thermometer 26C 130 to 140°C		Thermometer 27C 147 to 182°C		Thermometer 28C 36.6 to 39.4°C		Thermometer 28F 97.5 to 102.5°F	
130°C		155°C	25°C	0°C		32°F	
135°C		165°C	25°C	37.8°C		100°F	
140°C		175°C	25°C	39°C		102°F	
Thermometer 29C 52.6 to 55.4°C		Thermometer 29F 127.5 to 132.5°F		Thermometer 30F 207.5 to 212.5°F		Thermometer 33C -38 to +42°C	
0°C		32°F		32°F		-35°C	5°C
54.4°C		130°F		210°F		-20°C	15°C
55°C		132°F		212°F		0°C	20°C
						20°C	25°C
						40°C	30°C
Thermometer 33F -36.5 to +107.5°F		Thermometer 34C 25 to 105°C		Thermometer 34F 77 to 221°F		Thermometer 35C 90 to 170°C	
-31°F	41°F	25°C	25°C	77°F	77°F	100°C	70°C
-4°F	59°F	45°C	37°C	113°F	99°F	120°C	63°C
32°F	68°F	65°C	43°C	149°F	109°F	140°C	57°C
68°F	77°F	85°C	45°C	185°F	113°F	160°C	50°C
104°F	86°F	100°C	45°C	212°F	113°F	170°C	47°C
Thermometer 35F 194 to 338°F		Thermometer 36C -2 to +68°C		Thermometer 37C -2 to +52°C		Thermometer 38C 24 to 78°C	
212°F	158°F	0°C	25°C	0°C	25°C	25°C	25°C
250°F	145°F	15°C	25°C	15°C	25°C	40°C	25°C
285°F	134°F	30°C	25°C	30°C	25°C	55°C	25°C
320°F	122°F	45°C	25°C	50°C	25°C	75°C	25°C
338°F	116°F	65°C	25°C				
Thermometer 39C 48 to 102°C		Thermometer 40C 72 to 126°C		Thermometer 41C 98 to 152°C		Thermometer 42C 95 to 255°C	
50°C	30°C	75°C	30°C	100°C	30°C	100°C	30°C
65°C	30°C	90°C	30°C	115°C	33°C	150°C	35°C
80°C	30°C	105°C	30°C	130°C	35°C	200°C	40°C
100°C	30°C	125°C	30°C	150°C	35°C	250°C	45°C
Thermometer 43C -51.6 to -34°C		Thermometer 43F -61 to -29°F		Thermometer 44C 18.6 to 21.4°C		Thermometer 44F 66.5 to 71.5°F	
-50°C		-60°F		0°C		32°F	
-45°C		-50°F		20°C		68°F	
-40°C		-40°F		21°C		70°F	
-35°C		-30°F					
0°C		+ 32°F					
Thermometer 45C 23.6 to 26.4°C		Thermometer 45F 74.5 to 79.5°F		Thermometer 46C 48.6 to 51.4°C		Thermometer 46F 119.5 to 124.5	
0°C		32°F		0°C		32°F	
25°C		77°F		50°C		122°F	
26°C		79°F		51°C		124°F	
Thermometer 47C 58.6 to 61.4°C		Thermometer 47F 137.5 to 142.5°F		Thermometer 48C 80.6 to 83.4°C		Thermometer 48F 177.5 to 182.5°F	
0°C		32°F		0°C		32°F	
60°C		140°F		82.2°C		180°F	
61°C		142°F		83°C		182°F	
Thermometer 49C 20 to 70°C		Thermometer 50F 54 to 101°F		Thermometer 51F 69 to 116°F		Thermometer 52C -10 to +5°C	

TABLE 4 *Continued*

Temperature	Av Temp. of Emergent Mercury Column	Temperature	Av Temp. of Emergent Mercury Column	Temperature	Av Temp. of Emergent Mercury Column	Temperature	Av Temp. of Emergent Mercury Column
20°C	25°C	every 5° from 55°F		every 5° from 70°F		-10°C	
35°C	25°C					0°C	
50°C	25°C					5°C	
70°C	25°C						
Thermometer 54C 20 to 100°C		Thermometer 54F 68 to 213°F		Thermometer 56C 19 to 35°C		Thermometer 56F 66 to 95°F	
20°C		70°F		every 2° from 19°C		every 4° from 66°F and including 95°F	
50°C		120°F					
75°C		170°F					
100°C		210°F					
Thermometer 57C -20 to +50°C		Thermometer 57F -4 to +122°F		Thermometer 58C -34 to +49°C		Thermometer 58F -30 to +120°F	
-20°C	25°C	-3°F	77°F	-30°C		-20°F	
0°C	25°C	32°F	77°F	0°C		32°F	
25°C	25°C	77°F	77°F	25°C		80°F	
50°C	25°C	122°F	77°F	45°C		120°F	
Thermometer 59C -18 to +82°C		Thermometer 59F 0 to 180°F		Thermometer 60C 77 to 260°C		Thermometer 60F 170 to 500°F	
0°C		32°F		100°C		212°F	
25°C		80°F		175°C		350°F	
55°C		130°F		255°C		490°F	
80°C		180°F					
Thermometer 61C 32 to 127°C		Thermometer 61F 90 to 260°F		Thermometer 62C -38 to +2°C		Thermometer 62F -36 to +35°F	
40°C	25°C	100°F	77°F	-37°C		-35°F	
60°C	25°C	150°F	77°F	-30°C		-15°F	
80°C	25°C	200°F	77°F	-20°C		0°F	
100°C	25°C	250°F	77°F	-10°C		15°F	
120°C	25°C			0°C		32°F	
Thermometer 63C -8 to +32°C		Thermometer 63F 18 to 89°F		Thermometer 64C 25 to 55°C		Thermometer 64F 77 to 131°F	
-7°C		20°F		0°C		32°F	
0°C		32°F		25°C		80°F	
10°C		50°F		35°C		95°F	
20°C		70°F		45°C		115°F	
30°C		88°F		55°C		130°F	
Thermometer 65C 50 to 80°C		Thermometer 65F 122 to 176°F		Thermometer 66C 75 to 105°C		Thermometer 66F 167 to 221°F	
0°C		32°F		0°C		32°F	
50°C		125°F		75°C		168°F	
60°C		145°F		85°C		185°F	
70°C		160°F		95°C		200°F	
80°C		175°F		105°C		220°F	
Thermometer 67C 95 to 155°C		Thermometer 67F 203 to 311°F		Thermometer 68C 145 to 205°C		Thermometer 68F 293 to 401°F	
0°C		32°F		0°C		32°F	
100°C		205°F		150°C		300°F	
110°C		240°F		170°C		340°F	
130°C		275°F		190°C		370°F	
150°C		310°F		205°C		400°F	
Thermometer 69C 195 to 305°C		Thermometer 69F 383 to 581°F		Thermometer 70C 295 to 405°C		Thermometer 70F 563 to 761°F	
0°C		32°F		0°C		32°F	
200°C		400°F		300°C		570°F	
235°C		460°F		335°C		640°F	
270°C		520°F		370°C		700°F	
305°C		580°F		400°C		760°F	
Thermometer 71C -37 to +21°C		Thermometer 71F -35 to +70°F		Thermometer 72C -19.4 to -16.6°C		Thermometer 72F -2.5 to +2.5°F	
-35°C	21°C	-30°F	70°F	-19°C		-2°F	
-18°C	21°C	0°F	70°F	-17.8°C		0°F	
0°C	21°C	32°F	70°F	0°C		32°F	
20°C	21°C	70°F	70°F				
Thermometer 73C -41.4 to -38.6°C		Thermometer 73F -42.5 to -37.5°F		Thermometer 74C -55.4 to -52.6°C		Thermometer 74F -67.5 to -62.5°F	
-41°C		-42°F		-55°C		-67°F	
-40°C		-40°F		-53.9°C		-65°F	
0°C		32°F		0°C		32°F	
Thermometer 75F -35 to +35°F		Thermometer 76F -65 to +5°F		Thermometer 77F 245 to 265°F		Thermometer 78F 295 to 315°F	

TABLE 4 *Continued*

Temperature	Av Temp. of Emergent Mercury Column	Temperature	Av Temp. of Emergent Mercury Column	Temperature	Av Temp. of Emergent Mercury Column	Temperature	Av Temp. of Emergent Mercury Column
-35°F	55°F	-65°F	25°F	250°F		300°F	
0°F	65°F	-30°F	55°F	260°F		310°F	
32°F	75°F	+ 5°F	75°F				
Thermometer 79F 345 to 365°F		Thermometer 80F 395 to 415°F		Thermometer 81F 445 to 465°F		Thermometer 82C -15 to +105°C	
350°F		400°F		450°F		0°C	71°C
360°F		410°F		460°F		50°C	71°C
						100°C	71°C
Thermometer 82F 0 to 220°F		Thermometer 83C 15 to 70°C		Thermometer 83F 60 to 160°F		Thermometer 84C 25 to 80°C	
32°F	160°F	25°C	35°C	85°F	95°F	30°C	27°C
100°F	160°F	70°C	35°C	135°F	95°F	80°C	27°C
200°F	160°F						
Thermometer 84F 75 to 175°F		Thermometer 85C 40 to 150°C		Thermometer 85F 100 to 300°F		Thermometer 86C 95 to 175°C	
100°F	80°F	50°C	54°C	150°F	130°F	100°C	99°C
150°F	80°F	150°C	54°C	250°F	130°F	175°C	99°C
Thermometer 86F 200 to 350°F		Thermometer 87C 150 to 205°C		Thermometer 87F 300 to 400°F		Thermometer 88C 10 to 200°C	
225°F	210°F	160°C	132°C	300°F	270°F	40°C	48°C
325°F	210°F	200°C	132°C	400°F	270°F	100°C	56°C
						150°C	62°C
						200°C	68°C
Thermometer 88F 50 to 392°F		Thermometer 89C -20 to +10°C		Thermometer 90C 0 to 30°C		Thermometer 91C 20 to 50°C	
110°F	119°F	-20°C	15°C	0°C	20°C	20°C	25°C
212°F	132°F	-10°C	15°C	10°C	20°C	30°C	25°C
300°F	143°F	0°C	15°C	20°C	20°C	40°C	25°C
392°F	154°F	10°C	15°C	30°C	20°C	50°C	25°C
Thermometer 92C 40 to 70°C		Thermometer 93C 60 to 90°C		Thermometer 94C 80 to 110°C		Thermometer 95C 100 to 130°C	
40°C	25°C	60°C	30°C	80°C	30°C	100°C	35°C
50°C	25°C	70°C	30°C	90°C	30°C	110°C	35°C
60°C	25°C	80°C	30°C	100°C	30°C	120°C	35°C
70°C	25°C	90°C	30°C	110°C	30°C	130°C	35°C
Thermometer 96C 120 to 150°C		Thermometer 97C -18 to +49°C		Thermometer 97F 0 to 120°F		Thermometer 98C 16 to 82°C	
120°C	35°C	-15°C		0°F		20°C	
130°C	35°C	0°C		32°F		40°C	
140°C	35°C	20°C		70°F		60°C	
150°C	35°C	45°C		110°F		80°C	
Thermometer 98F 60 to 180°F		Thermometer 99C -50 to +5°C		Thermometer 99F -58 to +41°F		Thermometer 100C 145 to 205°C	
60°F		-46°C	-23°C	-50°F	-10°F	145°C	40°C
100°F		-32°C	-23°C	-25°F	-10°F	165°C	40°C
140°F		-18°C	-23°C	0°F	-10°F	185°C	40°C
180°F		0°C	-23°C	32°F	-10°F	205°C	40°C
Thermometer 101C 195 to 305°C		Thermometer 102C 123 to 177°C		Thermometer 103C 148 to 202°C		Thermometer 104C 173 to 227°C	
200°C	40°C	125°C	35°C	150°C	35°C	175°C	34°C
250°C	40°C	140°C	35°C	165°C	35°C	190°C	38°C
300°C	40°C	155°C	35°C	180°C	35°C	205°C	40°C
		175°C	35°C	200°C	35°C	225°C	40°C
Thermometer 105C 198 to 252°C		Thermometer 106C 223 to 277°C		Thermometer 107C 248 to 302°C		Thermometer 108F 270 to 290°F	
200°C	40°C	225°C	40°C	250°C	45°C	275°F	
215°C	40°C	240°C	40°C	265°C	45°C	285°F	
230°C	40°C	255°C	41°C	280°C	45°C		
250°C	40°C	275°C	46°C	300°C	45°C		
Thermometer 109F 320 to 340°F		Thermometer 110C 133.6 to 136.4°C		Thermometer 110F 272.5 to 277.5°F		Thermometer 111C 170 to 250°C	
325°F		0°C		32°F		170°C	35°C
335°F		135°C		275°F		200°C	40°C
		136°C		277°F		250°C	45°C
Thermometer 112C 4 to 6°C		Thermometer 113C -1 to +175°C		Thermometer 113F 30 to 350°F		Thermometer 114C -80 to +20°C	
0°C		0°C		32°F		-75°C	
4°C		50°C		122°F		-60°C	
5°C		100°C		212°F		-40°C	
6°C		150°C		302°F		0°C	
		175°C		347°F			

TABLE 4 *Continued*

Temperature	Av Temp. of Emergent Mercury Column	Temperature	Av Temp. of Emergent Mercury Column	Temperature	Av Temp. of Emergent Mercury Column	Temperature	Av Temp. of Emergent Mercury Column
Thermometer 116C 18.9 to 25.1°C every 1°C from 19.0°C		Thermometer 117C 23.9 to 30.1°C every 1°C from 24.0°C		Thermometer 118C 28.6 to 31.4°C 0°C 30°C 31°C		Thermometer 118F 83.5 to 88.5°F 32°F 86°F 88°F	
Thermometer 119C -38.3 to -30°C -38°C 18°C -30°C 20°C 0°C 0°C		Thermometer 119F -37 to -22°F -36°F 64°F -22°F 68°F + 32°F 32°F		Thermometer 120C 38.6 to 41.4°C 0°C 40°C 41°C		Thermometer 121C 98.6 to 101.4°C 0°C 100°C 101°C	
Thermometer 122C -45 to -35°C -45°C -40°C -35°C		Thermometer 123C -35 to -25°C -35°C -30°C -25°C		Thermometer 124C -25 to -15°C -25°C -20°C -15°C		Thermometer 125C -15 to -5°C -15°C -10°C -5°C	
Thermometer 126C -27.4 to -24.6°C -27°C -26.1°C 0°C		Thermometer 126F -17.5 to -12.5°F -17°F -15°F 32°F		Thermometer 127C -21.4 to -18.6°C -21°C -20°C 0°C		Thermometer 128C -1.4 to +1.4°C 0°C 1°C	
Thermometer 128F 29.5 to 34.5°F 32°F 34°F		Thermometer 129C 91.6 to 94.4°C 0°C 93.3°C 94°C		Thermometer 129F 197.5 to 202.5°F 32°F 200°F 202°F		Thermometer 130C -7 to +105°C 0°C 35°C 70°C 105°C	
Thermometer 130F 20 to 220°F 32°F 100°F 160°F 220°F		Thermometer 132C 148.6 to 151.4°C 0°C 150°C 151°C		Thermometer 133C -38 to +2°C -36 25°C -30 25°C -24 25°C -18 25°C -12 25°C -6 25°C 0 25°C		Thermometer 134C 144 to 156°C 145°C 40°C 150°C 40°C 155°C 40°C	
Thermometer 135C 38 to 93°C 50°C 35°C 90°C 35°C		Thermometer 135F 100 to 200°F 125°F 95°F 195°F 95°F		Thermometer 136C -20 to +60°C -20°C -10°C 0°C 10°C 20°C 30°C 40°C 50°C 60°C		Thermometer 136F -5 to +140°F -5°F 15°F 32°F 60°F 85°F 110°F 135°F	
Thermometer 137C 80 to 100°C 80°C 30°C 90°C 30°C 100°C 30°C							

^A For verification and calibration of total immersion thermometers see Test Method **E77**.

For Thermometers 1C, 1F, 2C, 2F, 3C, 3F, 23C, 24C, and 25C the emergent column temperatures correspond on the average with those attained in verification using equipment such as that described in Test Method **E77**.

For all other thermometers listed, the emergent column temperatures are those attained when using the thermometers in the test equipment for which the thermometers were originally designed. In some cases these temperatures are markedly different from those realized during verification. Also in some instances, such as Thermometers 35C and 35F, the values may not seem reasonable. Analysis of the factors affecting emergent column temperatures in use will provide the explanation for such apparent inconsistencies.

^B This thermometer is especially sensitive to changes in emergent column temperatures because organic liquids are used as the thermometer fluid. As a means of avoiding errors due to this cause the ice point should be taken at total immersion and the correction calculated for partial immersion by using the emergent stem correction formula given in Test Method **E77**.

Part B—Enclosed-Scale Thermometer
16. Specifications

16.1 The thermometers shall conform to the detailed specifications given in **Table 5** and the requirements given in Sections **17 – 24**.

17. Type

17.1 The thermometers shall be of the enclosed-scale mercury-in-glass type with adjustable range.

18. Temperature Scale

18.1 Temperature differences indicated by the thermometers shall be in terms of the International Temperature Scale of 1990 (ITS-90)⁴ as adopted by the General Conference on Weights and Measures.

19. Immersion

19.1 To obtain the full precision of the thermometer for difference measurements, the ambient (stem) temperature and immersion depth must be the same in all measurements.

19.2 The thermometers are for use in a vertical position.

19.3 In order to measure Celsius- or kelvin-scale temperatures after the setting temperature has been determined at a given immersion depth by comparison with a standard, the thermometer must be used at the same immersion for all main scale readings obtained at this setting.

20. Glass

20.1 The bulb and sheath of the thermometer should preferably be made of the same type of thermometric glass. This glass shall be selected so that the finished thermometer meets the following requirements:

20.1.1 The bulb glass shall be stabilized by suitable heat treatment to ensure that the accuracy requirements of Section **23** can be met,

20.1.2 Strain in the glass shall be reduced to a level sufficient to minimize the possibility of fracture due to thermal or mechanical shock,

20.1.3 The accuracy of the reading shall not be impaired by devitrifying during manufacture, and

⁴ “The International Temperature Scale of 1990,” Amended Edition of 1990, *Metrologia*, Vol 27, No. 1, 1990, pp. 3–15.

TABLE 5 Specifications for Enclosed Scale Thermometers

ASTM Number	115C–86
Range (nominal), °C	5 or 6
Graduation interval, °C	0.01
Adjustable range, °C	–10 to 120
Total length, max, mm	640
Length of main scale ^a (graduated length), mm	44 ± 4
Distance from bottom of bulb to lowest numbered graduation line, mm	200 to 240
Diameter of sheath (top portion) max, mm	16
External bulb diameter, max, mm	11
Bulb length, mm	30 to 50
Bulb shoulder length, max, mm	11
Bulk—dimension/bore ratio, max	$\beta e/d = 15$ (see 9.2.3)

20.1.4 The meniscus shall be distorted as little as possible by striae or impurities in the glass.

21. Vacuum

21.1 The capillary above the mercury shall be evacuated, and the vacuum shall be such that no difficulty is experienced in rejoining the column after setting.

22. Construction

22.1 *Shape*—The thermometer shall be straight and have insofar as practical circular cross sections.

22.2 *Top Finish*—The top of the thermometer shall be closed by a suitable cap.

22.3 *Scale*—The graduated scale shall be of opal glass and shall be securely fastened to prevent relative displacement between the capillary and scale, and in such a way that it can freely expand in length.

22.4 *Capillary Tube*—The capillary tube shall be transparent, its inside shall be smooth, and its cross-sectional area in the scale portion shall not show variations from the average greater than 5 %. The bore shall be large enough in relation to the dimensions of the thermometer bulb to ensure that (without tapping), the jumping of the meniscus does not exceed one half of the smallest scale division when the temperature is rising at a uniform rate not exceeding 0.05°C/min.

NOTE 5—According to Hall and Leaver, this condition can be achieved or bettered by keeping the ratio $\beta e/d < 15$.⁶ The external pressure coefficient is defined by the expression

$$\beta e = 0.52 D_e^2 / (D_e^2 - D_i^2) \quad (1)$$

where:

d = bore of the capillary, mm,

βe = external pressure coefficient, m-deg C/cm,

D_e = external diameter of the thermometer bulb, and

D_i = internal diameter of the thermometer bulb.

22.5 *Adjusting Device*—For adjusting the amount of mercury in the bulb and main capillary to the intended range, an enlargement shall be provided above the measuring capillary to serve as a reservoir for the separated mercury. Adjustment shall be possible without difficulty. To facilitate adjustment of the range an auxiliary scale may be provided. Two designs of adjusting devices are indicated in Fig. 12. Operation of the adjusting device shall require a temperature of approximately, but not less than, 35°C above the setting point.

22.6 *Dimensions*—The dimensions shall be as given in **Table 5** and Fig. 12.

22.7 Graduation and Figuring:

22.7.1 The range of graduation of the thermometer shall be as specified in **Table 5**.

22.7.2 The graduation lines shall be clearly defined and of uniform thickness which should in no case exceed 0.05 mm. The lines shall be at right angles to the axis of the thermometer.

22.7.3 The thermometer shall be graduated and figured for use in a vertical position. The arrangement of the graduation lines shall be as specified in Fig. 13. Each 0.1-deg line shall be a long line; each 0.05-deg line shall have a length of two thirds

of the long line; and each 0.01-deg line shall have a length of one third of the long line. All graduation lines shall be readily visible from both sides of the capillary.

22.7.4 The scale shall be extended beyond the lowest long graduation line by from two to five scale divisions.

22.7.5 Figuring shall be as shown in Fig. 13. The lowest long graduation line in upward reading thermometers, and the highest long graduation line in downward reading thermometers shall be figured "0." Each full degree shall be figured with large numbers. Every second intermediate one tenth of a degree shall be figured with small numbers on the right-hand side of the scale.

23. Interval Error

23.1 The interval error of each partial interval of a range of 0.5°C shall not exceed ±0.01°C. The maximum error for any larger interval shall not exceed 0.02°C. These values refer to the adjustment of the thermometer to "0" at 20°C and at a temperature of the emergent stem of 20°C.

NOTE 6—The first part of this requirement essentially requires that calibration be performed at 0.5°C intervals. The need for this is indicated by findings at the National Institute of Standards and Technology that calibration every 40 to 50 divisions is required for reliable interpolation to

one or two tenths of a division.

23.2 The stability of the thermometer shall be such that the zero reading does not change by more than 0.01°C in 24 h when left at the setting temperature after the bulb of the thermometer has been heated for at least 15 min to a temperature 35°C above the setting point.

24. Inscriptions

24.1 The following inscriptions shall be permanently and legibly marked on the thermometer:

24.1.1 Temperature scale (abbreviations such as "°C" or "°C"),

24.1.2 Bulb glass type (the glass may be identified by a colored stripe or stripes or by an inscription on the thermometer),

24.1.3 Identification number (manufacturer's serial number),

24.1.4 Manufacturer's tradename or mark, and

24.1.5 ASTM 115C.

25. Keywords

25.1 bulb; liquid-in-glass thermometers; standard specification; stem; temperature thermometer

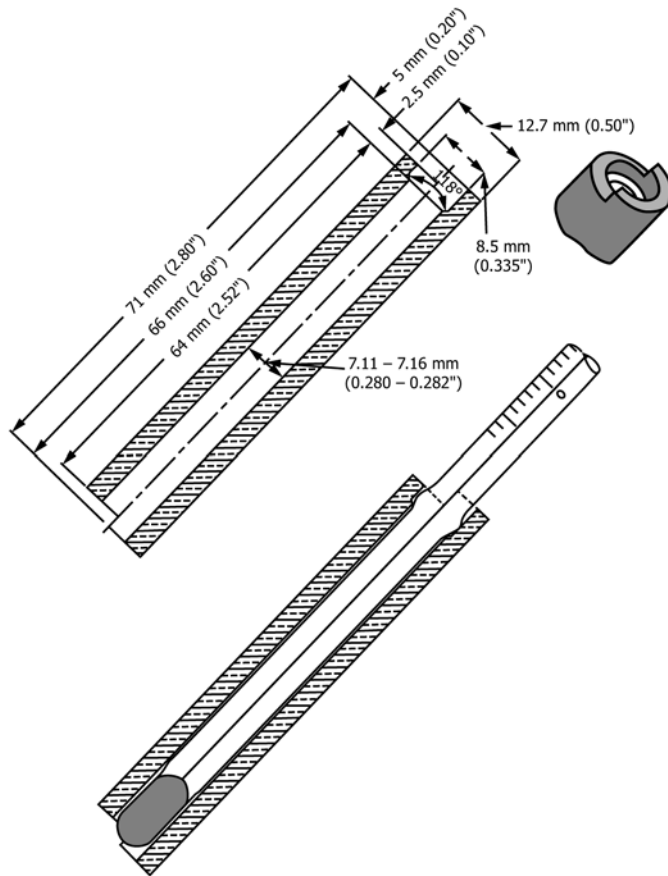


FIG. 3 Test Gage for Checking Enlargements on Thermometers 9C, 9F, 10C, 10F, 57C, 57F, 88C, and 88F

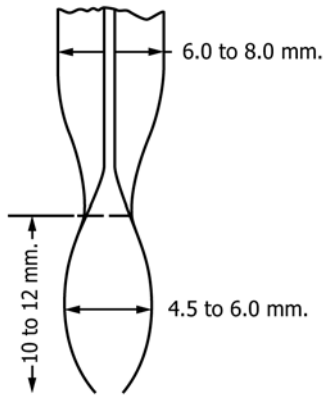


FIG. 4 Bulb of ASTM Congealing Point Thermometers 54C and 54F

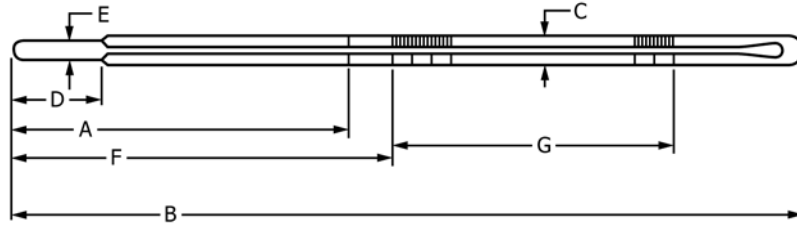


FIG. 5

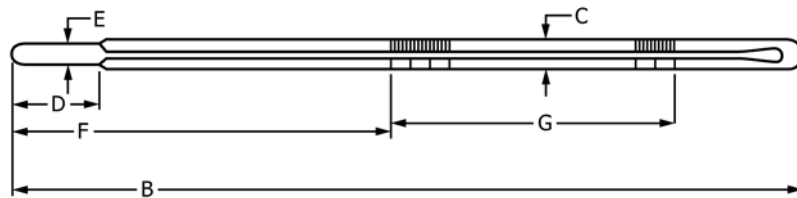


FIG. 6

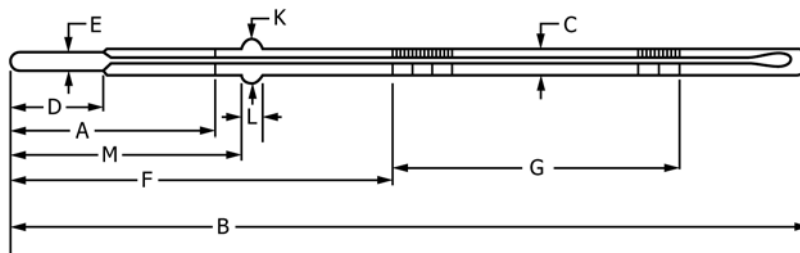


FIG. 7

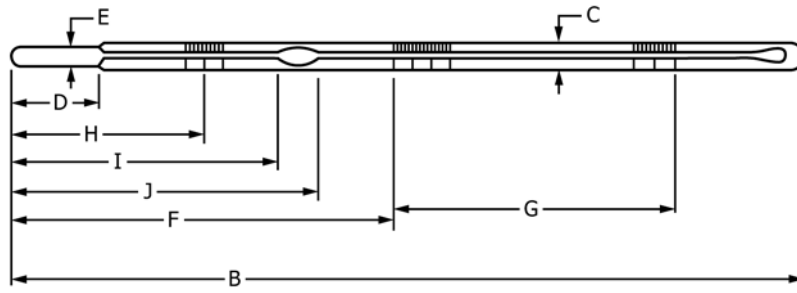


FIG. 8

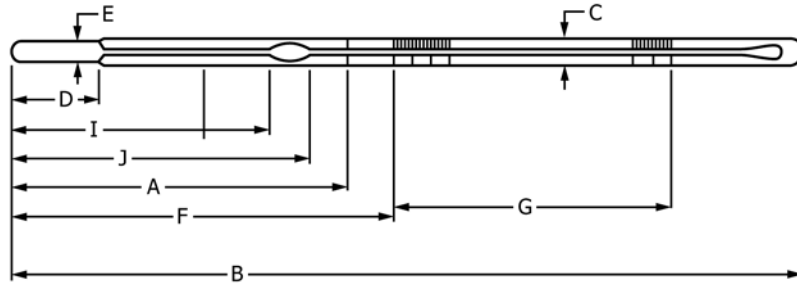


FIG. 9

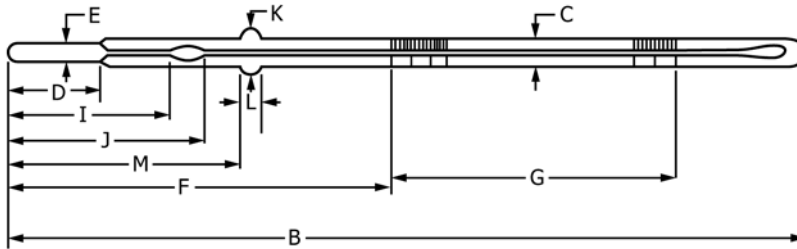


FIG. 10

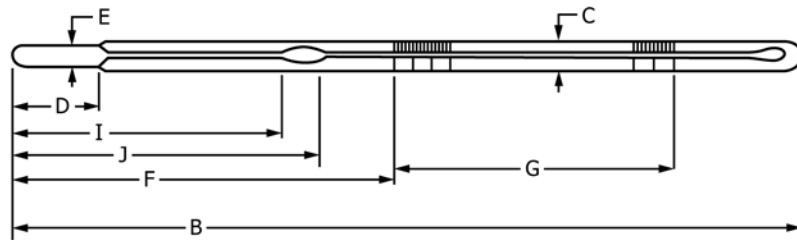


FIG. 11

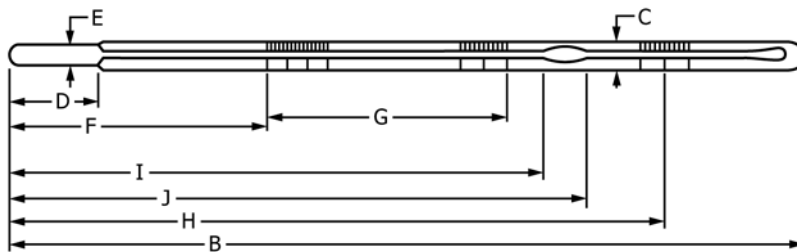


FIG. 12

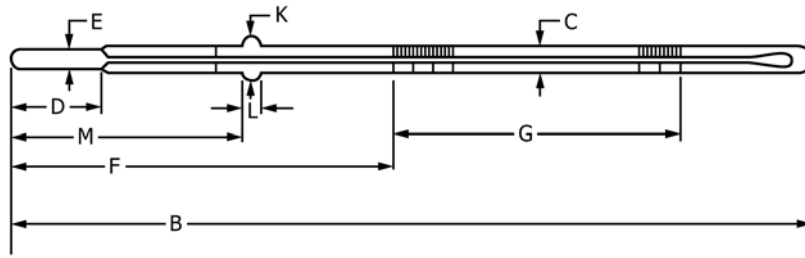
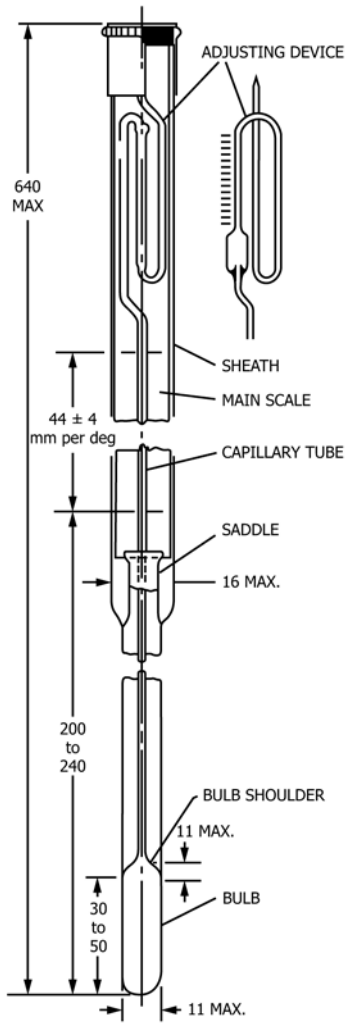


FIG. 13



NOTE 1—All dimensions are in millimetres.

FIG. 14 Enclosed Scale Adjustable Range Thermometers

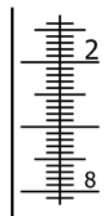


FIG. 15 Graduation and Figuring

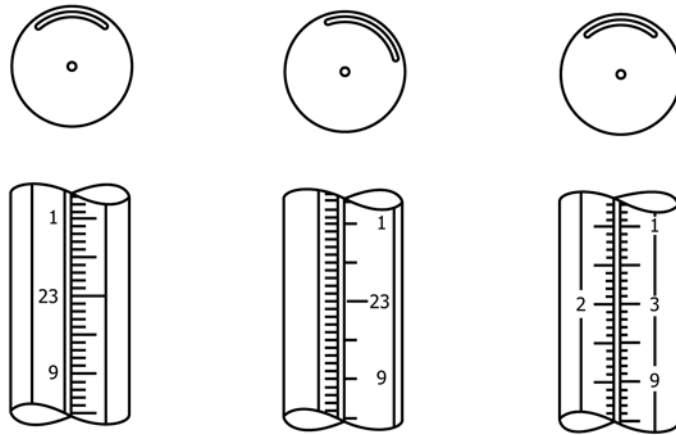


FIG. 16 Schemes for Graduation and Figuring

ASTM International takes no position respecting the validity of any patent rights asserted in connection with any item mentioned in this standard. Users of this standard are expressly advised that determination of the validity of any such patent rights, and the risk of infringement of such rights, are entirely their own responsibility.

This standard is subject to revision at any time by the responsible technical committee and must be reviewed every five years and if not revised, either reapproved or withdrawn. Your comments are invited either for revision of this standard or for additional standards and should be addressed to ASTM International Headquarters. Your comments will receive careful consideration at a meeting of the responsible technical committee, which you may attend. If you feel that your comments have not received a fair hearing you should make your views known to the ASTM Committee on Standards, at the address shown below.

This standard is copyrighted by ASTM International, 100 Barr Harbor Drive, PO Box C700, West Conshohocken, PA 19428-2959, United States. Individual reprints (single or multiple copies) of this standard may be obtained by contacting ASTM at the above address or at 610-832-9585 (phone), 610-832-9555 (fax), or service@astm.org (e-mail); or through the ASTM website (www.astm.org). Permission rights to photocopy the standard may also be secured from the Copyright Clearance Center, 222 Rosewood Drive, Danvers, MA 01923, Tel: (978) 646-2600; http://www.copyright.com/